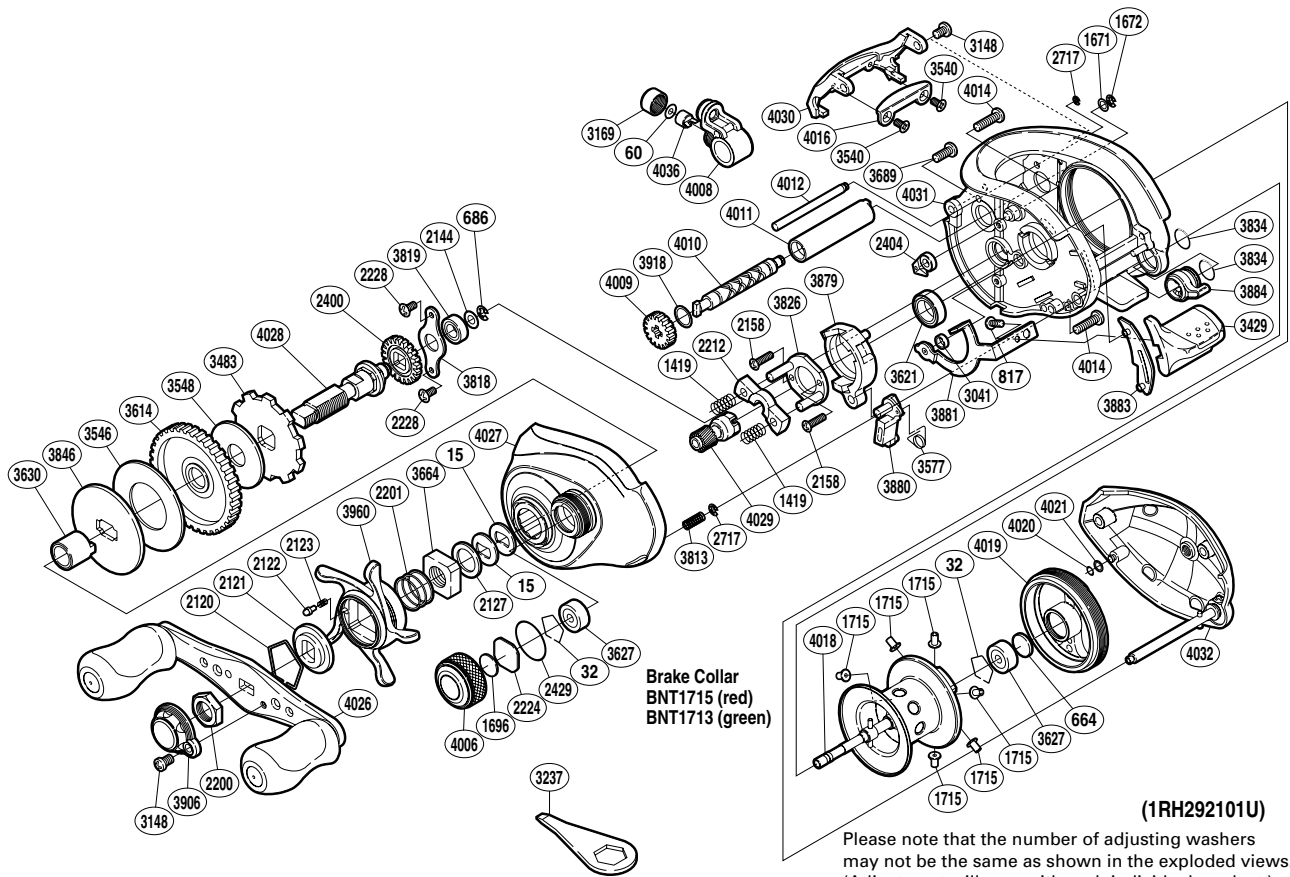


# SHIMANO

CHRONARCH 

CH-101D7



Part No.	Description	Part No.	Description	Part No.	Description
BNT0015	Drag Spring Washer	BNT3041	Clutch Plate Shaft Support	BNT3918	Washer
BNT0032	Bearing Retainer	BNT3148	Screw	BNT3960	Star Drag
BNT0060	Spacer	BNT3169	Pawl Cap	BNT4006	Cast Control Cap
BNT0664	Spacer B	BNT3429	Quick-Fire II Clutch Bar	BNT4008	Line Guide
BNT0686	E Lock	BNT3483	Anti-Reverse Ratchet	BNT4009	Idle Gear
BNT0817	Screw	BNT3540	Screw	BNT4010	Worm Shaft
BNT1419	Yoke Spring	BNT3546	Drag Washer	BNT4011	Level Wind Guard
BNT1671	Washer	BNT3548	Drag Washer	BNT4012	Level Wind Guide
BNT1672	E Lock	BNT3577	Clutch Pawl Spring	BNT4014	Screw
BNT1696	Cast Control Spacer	BNT3614	Drive Gear	BNT4016	Line Guard Retainer
BNT1715	Brake Collar (red)	BNT3621	Ball Bearing	BNT4018	Spool Assembly
BNT2120	Click Plate Retainer	BNT3627	Ball Bearing	BNT4019	Brake Case
BNT2121	Star Drag Click	BNT3630	Roller Clutch Inner Tube	BNT4020	Washer
BNT2122	Click Pin	BNT3664	Star Drag Nut	BNT4021	O Ring
BNT2123	Click Spring	BNT3689	Screw	BNT4026	Handle Assembly
BNT2127	Star Drag Spacer	BNT3813	Damper Spring	BNT4027	Left Side Plate
BNT2144	Washer	BNT3818	Drive Shaft Retainer	BNT4028	Drive Shaft
BNT2158	Screw	BNT3819	Ball Bearing	BNT4029	Pinion Gear
BNT2200	Handle Nut	BNT3826	Clutch Cam Retainer	BNT4030	Level Wind Protector
BNT2201	Star Drag Spring	BNT3834	O Ring	BNT4031	One-Piece Frame
BNT2212	Yoke	BNT3846	Key Washer	BNT4032	Right Side Plate
BNT2224	Spool Tension Spacer	BNT3879	Clutch Cam	BNT4036	Line Guide Pawl
BNT2228	Screw	BNT3880	Clutch Pawl		
BNT2400	Idle Gear	BNT3881	Clutch Plate		
BNT2404	Anti-Reverse Pawl	BNT3883	Clutch Bar Guide B		
BNT2429	O Ring	BNT3884	Side Plate Cam Lever	BNT1713	Brake Collar (green) (accessory)
BNT2717	E Lock	BNT3906	Handle Retainer	BNT3237	Wrench (accessory)