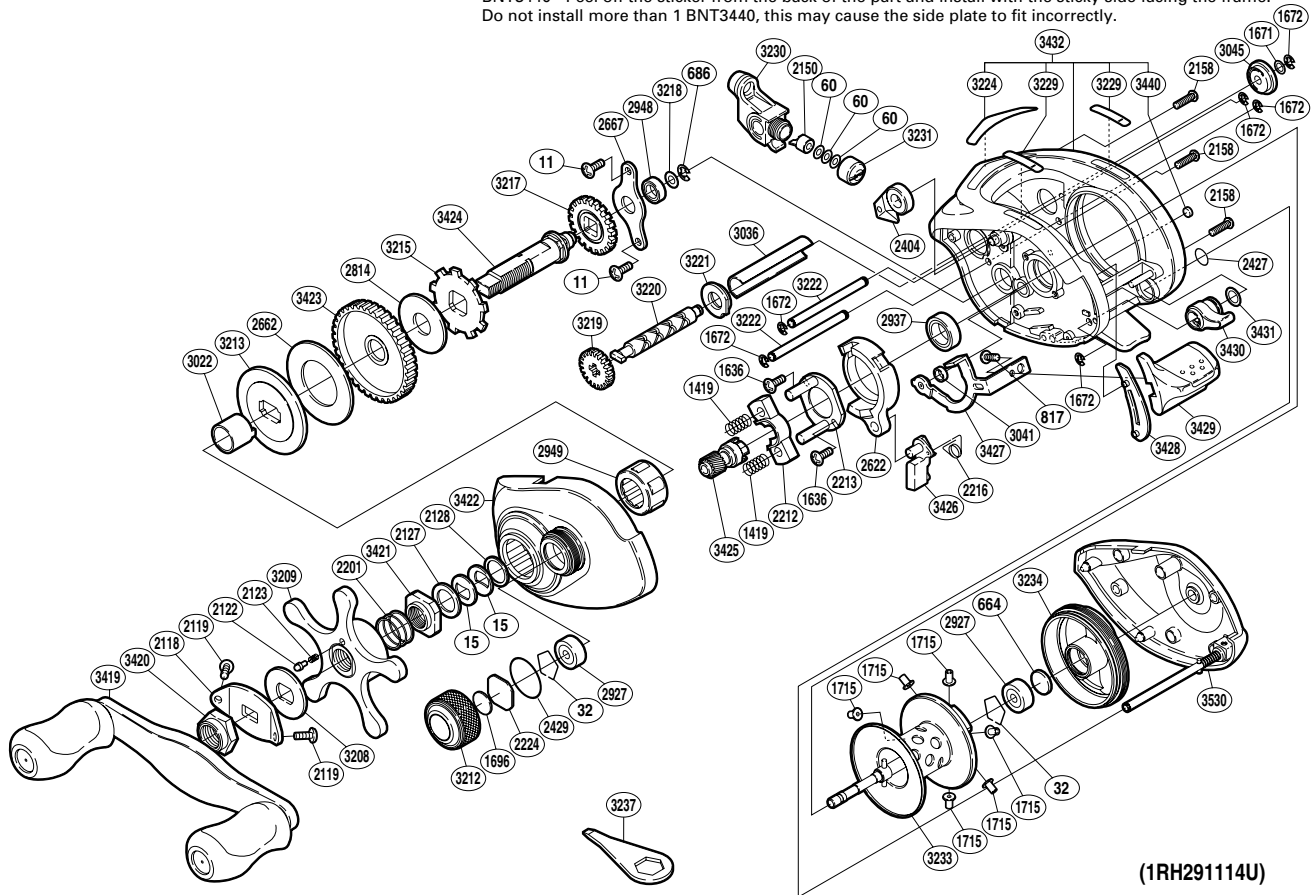


# SHIMANO®

## CHRONARCH

## CH-101B

BNT3440 - Peel off the sticker from the back of the part and install with the sticky side facing the frame.  
Do not install more than 1 BNT3440, this may cause the side plate to fit incorrectly.



Part No.	Description	Part No.	Description	Part No.	Description
BNT0011	Screw	BNT2404	Anti-Reverse Pawl	BNT3224	Frame Plate
BNT0015	Drag Spring Washer	BNT2427	O Ring	BNT3229	Frame Guard Plate
BNT0032	Bearing Retainer	BNT2429	O Ring	BNT3230	Line Guide
BNT0060	Spacer	BNT2622	Clutch Cam	BNT3231	Pawl Cap
BNT0664	Spacer B	BNT2662	Drag Washer	BNT3233	Spool Assembly
BNT0686	E Lock	BNT2667	Drive Shaft Retainer	BNT3234	Brake Case
BNT0817	Screw	BNT2814	Drag Washer	BNT3419	Handle Assembly
BNT1419	Yoke Spring	BNT2927	Ball Bearing	BNT3420	Handle Nut
BNT1636	Screw	BNT2937	Ball Bearing	BNT3421	Star Drag Nut
BNT1671	Washer	BNT2948	Ball Bearing	BNT3422	Left Side Plate
BNT1672	E Lock	BNT2949	Roller Clutch Bearing	BNT3423	Drive Gear
BNT1696	Cast Control Spacer B	BNT3022	Roller Clutch Inner Tube	BNT3424	Drive Shaft
BNT1715	Brake Collar (red)	BNT3036	Level Wind Guard	BNT3425	Pinion Gear
BNT2118	Handle Nut Plate	BNT3041	Clutch Plate Shaft Support	BNT3426	Clutch Pawl
BNT2119	Screw	BNT3045	Worm Bushing B	BNT3427	Clutch Plate
BNT2122	Click Pin	BNT3208	Star Drag Click Plate	BNT3428	Clutch Bar Guide B
BNT2123	Click Spring	BNT3209	Star Drag	BNT3429	Quick-Fire II Clutch Bar
BNT2127	Star Drag Spacer	BNT3212	Cast Control Cap	BNT3430	Side Plate Cam Lever
BNT2128	Bearing Washer	BNT3213	Key Washer	BNT3431	Washer
BNT2150	Line Guide Pawl	BNT3215	Anti-Reverse Ratchet	BNT3432	One-Piece Frame
BNT2158	Screw	BNT3217	Idle Gear A	BNT3440	Anti-Thrust Washer
BNT2201	Star Drag Spring	BNT3218	Washer	BNT3530	Right Side Plate Assembly
BNT2212	Yoke	BNT3219	Idle Gear C		
BNT2213	Clutch Cam Retainer	BNT3220	Worm Shaft		
BNT2216	Clutch Pawl Spring	BNT3221	Worm Bushing A		
BNT2224	Spool Tension Spacer A	BNT3222	Level Wind Guide	BNT3237	Wrench (accessory)