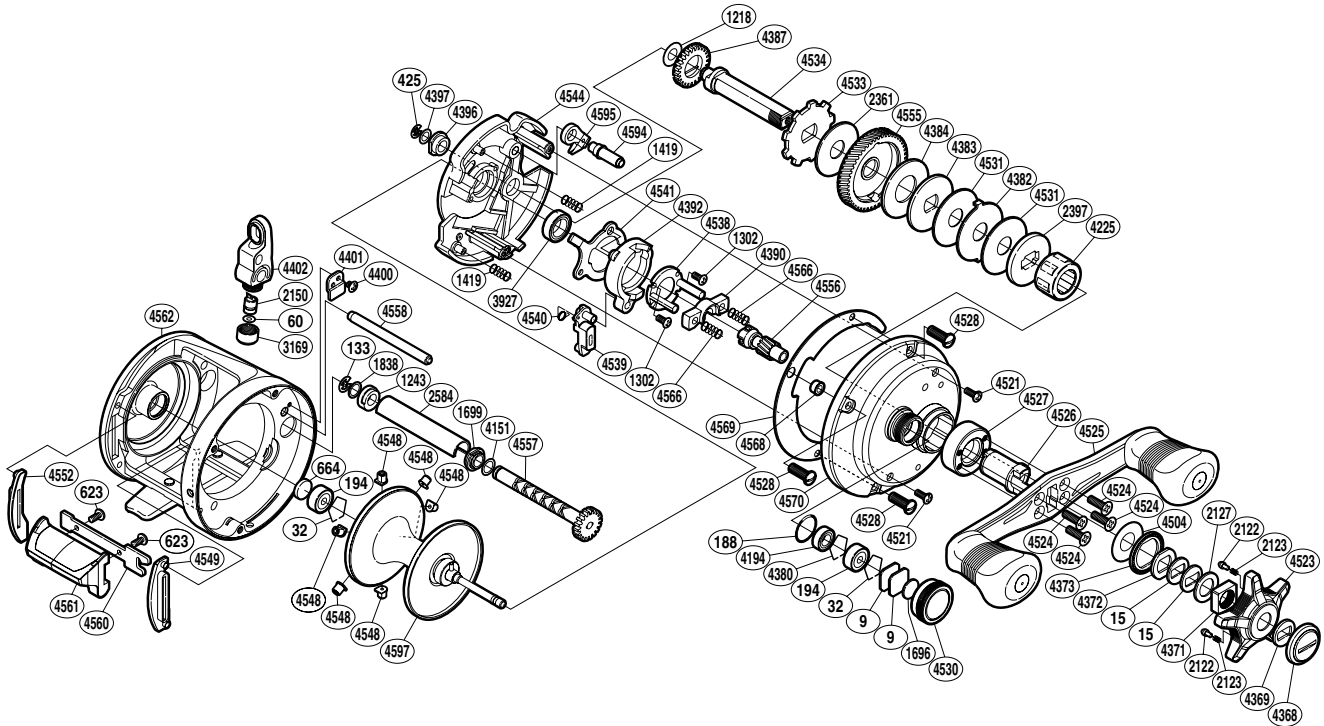


# SHIMANO

CALCUTTA SA-RB

CT-400D



Please note that the number of adjusting washers may not be the same as shown in the exploded views. (Adjustment will vary with each individual product.)

(1RH318400U)

| Part No. | Description         | Part No. | Description              | Part No. | Description              |
|----------|---------------------|----------|--------------------------|----------|--------------------------|
| BNT0009  | Spacer              | BNT4194  | Ball Bearing             | BNT4530  | Cast Control Cap         |
| BNT0015  | Drag Spring Washer  | BNT4225  | Roller Clutch Bearing    | BNT4531  | Drag Washer              |
| BNT0032  | Bearing Retainer    | BNT4368  | Handle Bolt              | BNT4533  | Anti-Reverse Ratchet     |
| BNT0060  | Spacer              | BNT4369  | Handle Lock Spring       | BNT4534  | Drive Shaft              |
| BNT0133  | E Lock              | BNT4371  | Star Drag Nut            | BNT4538  | Clutch Cam Retainer      |
| BNT0188  | O Ring              | BNT4372  | Drive Shaft Shield       | BNT4539  | Clutch Pawl              |
| BNT0194  | Ball Bearing        | BNT4373  | Star Drag Click Plate    | BNT4540  | Clutch Pawl Spring       |
| BNT0425  | E Lock              | BNT4380  | Retainer                 | BNT4541  | Clutch Plate             |
| BNT0623  | Screw               | BNT4382  | Eared Washer             | BNT4544  | Set Plate                |
| BNT0664  | Spacer B            | BNT4383  | Key Washer               | BNT4548  | Brake Collar             |
| BNT1218  | Spacer              | BNT4384  | Drag Washer              | BNT4549  | Clutch Bar Guide B       |
| BNT1243  | Worm Bushing B      | BNT4387  | Idle Gear                | BNT4552  | Clutch Bar Guide A       |
| BNT1302  | Screw               | BNT4390  | Yoke                     | BNT4555  | Drive Gear               |
| BNT1419  | Spring              | BNT4392  | Clutch Cam               | BNT4556  | Pinion Gear              |
| BNT1696  | Cast Control Spacer | BNT4396  | Drive Shaft Bushing      | BNT4557  | Worm Shaft               |
| BNT1699  | Worm Bushing A      | BNT4397  | Washer                   | BNT4558  | Level Wind Guide         |
| BNT1838  | Spacer              | BNT4400  | Screw                    | BNT4560  | Clutch Plate B           |
| BNT2122  | Click Pin           | BNT4401  | Worm Bushing Retainer    | BNT4561  | Quick-Fire II Clutch Bar |
| BNT2123  | Click Spring        | BNT4402  | Line Guide               | BNT4562  | One-Piece Frame          |
| BNT2127  | Star Drag Spacer    | BNT4504  | Washer                   | BNT4566  | Yoke Spring              |
| BNT2150  | Line Guide Pawl     | BNT4521  | Screw                    | BNT4568  | Screw Collar             |
| BNT2361  | Drag Washer         | BNT4523  | Star Drag                | BNT4569  | Side Plate Support       |
| BNT2397  | Key Washer          | BNT4524  | Screw                    | BNT4570  | Right Side Plate         |
| BNT2584  | Level Wind Guard    | BNT4525  | Handle Assembly          | BNT4594  | Anti-Reverse Pawl Pin    |
| BNT3169  | Pawl Cap            | BNT4526  | Roller Clutch Inner Tube | BNT4595  | Anti-Reverse Pawl        |
| BNT3927  | Ball Bearing        | BNT4527  | Handle Plate             | BNT4597  | Spool Assembly           |
| BNT4151  | Washer              | BNT4528  | Screw                    |          |                          |