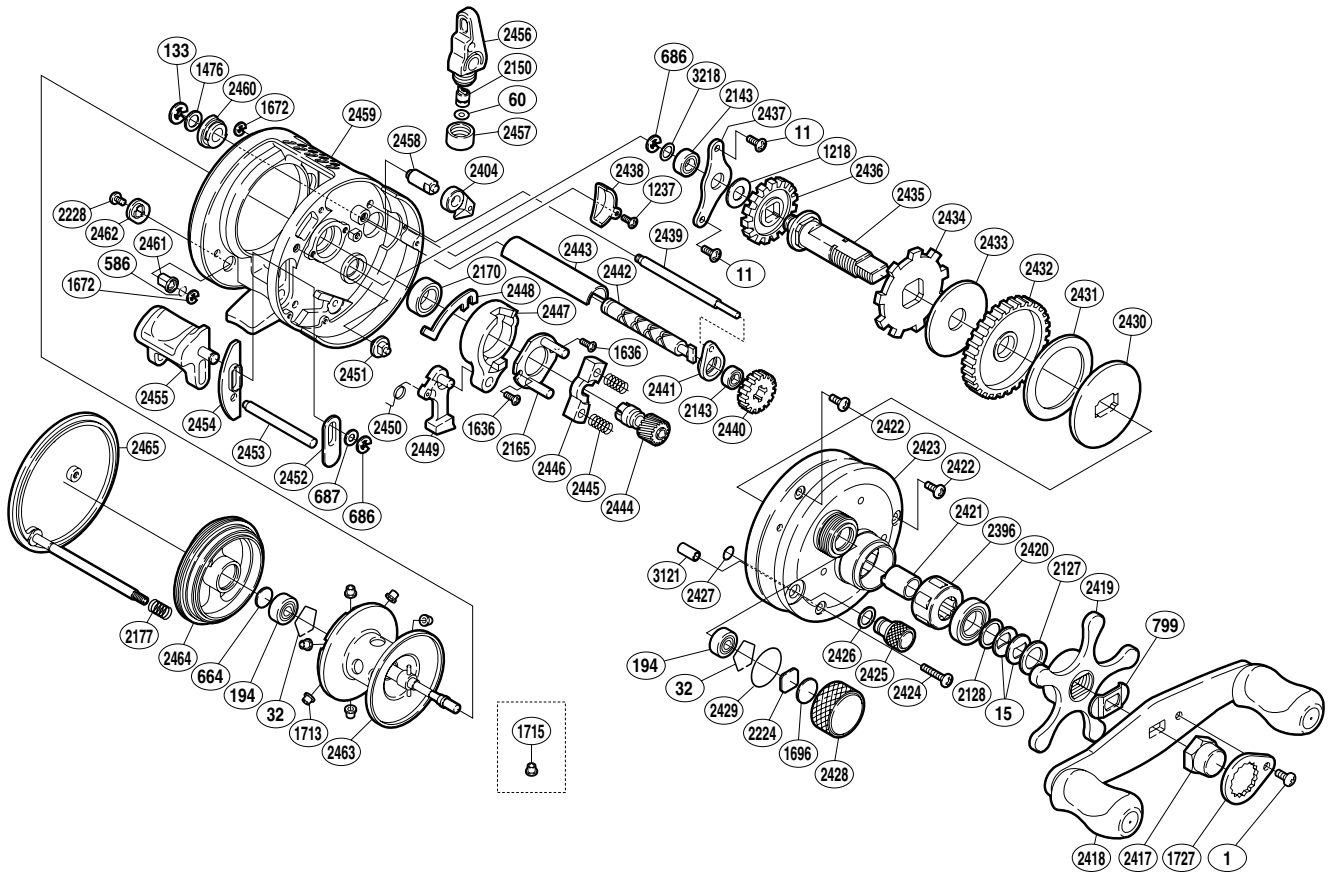


SHIMANO®

CALCUTTA TE

CTE-200GT



Part No.	Description	Part No.	Description	Part No.	Description
BNT0001	Handle Nut Plate Screw	BNT2228	Damper Guide Screw	BNT2442	Worm Shaft
BNT0011	Drive Shaft Retainer Screw	BNT2396	Roller Clutch Bearing	BNT2443	Level Wind Guard
BNT0015	Drag Spring Washer	BNT2404	Anti-Reverse Pawl	BNT2444	Pinion Gear
BNT0032	Bearing Retainer	BNT2417	Handle Nut	BNT2445	Yoke Spring
BNT0060	Spacer (optional)	BNT2418	Handle Assembly	BNT2446	Yoke
BNT0133	Worm Shaft Retainer	BNT2419	Star Drag	BNT2447	Clutch Cam
BNT0194	Ball Bearing	BNT2420	Star Drag Bearing	BNT2448	Clutch Plate
BNT0586	Bolt Retainer	BNT2421	Roller Clutch Inner Tube	BNT2449	Clutch Pawl
BNT0664	Spacer (B)	BNT2422	Right Side Plate Screw (short)	BNT2450	Clutch Pawl Spring
BNT0686	"E" Lock	BNT2423	Right Side Plate	BNT2451	Set Pin
BNT0687	Spacer	BNT2424	Right Side Plate Screw (long)	BNT2452	Clutch Bar Guide (A)
BNT0799	Friction Washer	BNT2425	Side Plate Open Nut	BNT2453	Clutch Bar Support
BNT1218	Idle Gear (A) Spacer	BNT2426	Open Nut Washer	BNT2454	Clutch Bar Guide (B)
BNT1237	Shield Screw	BNT2427	"O" Ring	BNT2455	Quick-Fire II Clutch Bar
BNT1476	Worm Shaft Spacer	BNT2428	Cast Control Cap	BNT2456	Line Guide
BNT1636	Clutch Cam Screw	BNT2429	"O" Ring	BNT2457	Pawl Cap
BNT1672	"E" Lock	BNT2430	Key Washer	BNT2458	Anti-Reverse Pawl Pin
BNT1696	Cast Control Spacer (B)	BNT2431	Drag Washer (C)	BNT2459	One-Piece Frame
BNT1713	Brake Collar (green)	BNT2432	Drive Gear	BNT2460	Worm Bushing (B)
BNT1727	Handle Nut Plate	BNT2433	Drag Washer (A)	BNT2461	Damper (A)
BNT2127	Star Drag Spacer	BNT2434	Anti-Reverse Ratchet	BNT2462	Damper Guide
BNT2128	Bearing Washer	BNT2435	Drive Shaft	BNT2463	Spool Assembly
BNT2143	Ball Bearing	BNT2436	Idle Gear (A)	BNT2464	Brake Case
BNT2150	Line Guide Pawl	BNT2437	Drive Shaft Retainer	BNT2465	Left Side Plate
BNT2165	Clutch Cam Retainer	BNT2438	Frame Shield	BNT3121	Side Plate Screw Collar
BNT2170	Ball Bearing	BNT2439	Level Wind Guide	BNT3218	Drive Shaft Washer
BNT2177	Left Side Plate Spring	BNT2440	Idle Gear (C)		
BNT2224	Spool Tension Spacer (A)	BNT2441	Worm Bushing (A)	BNT1715	Brake Collar (red)