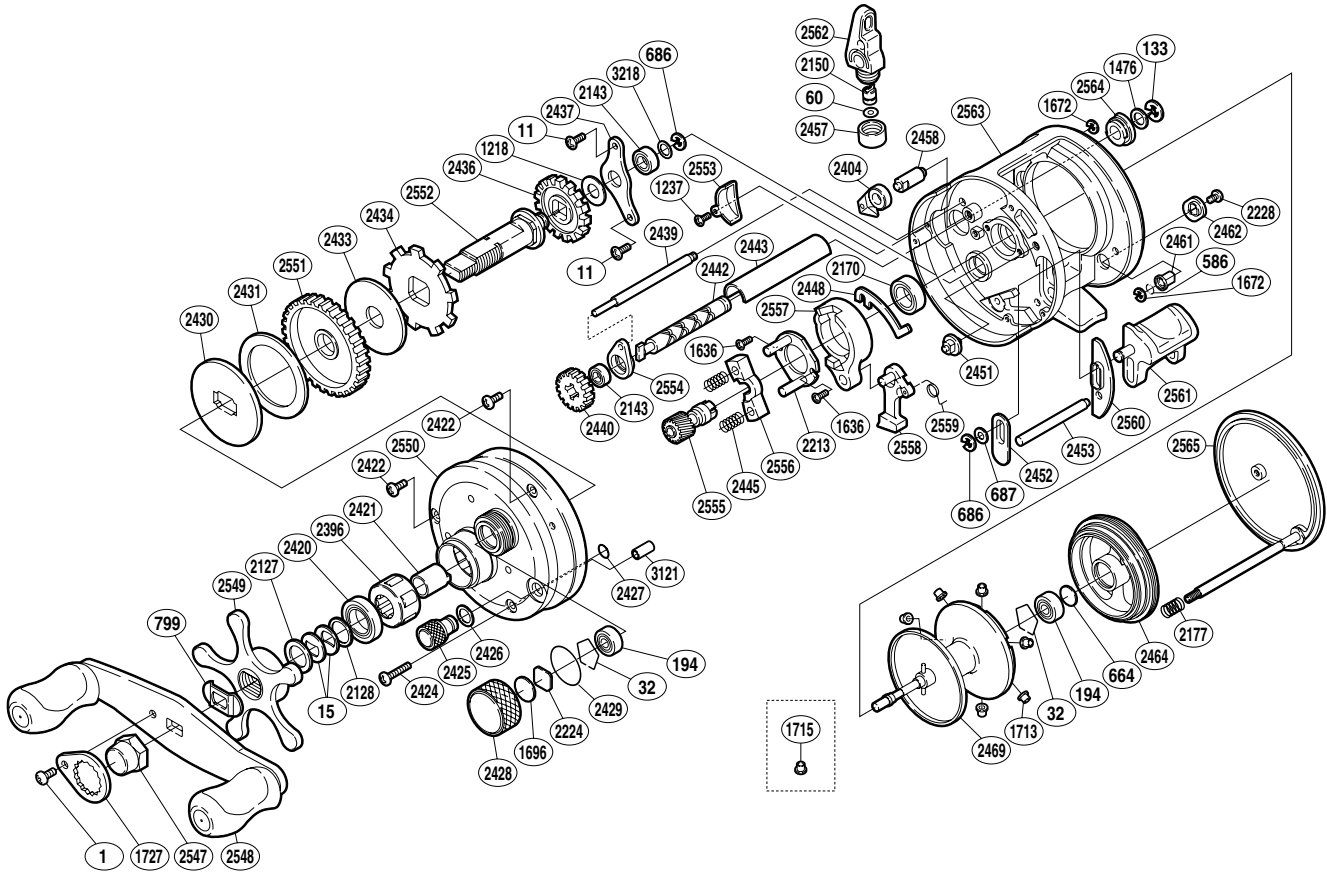


SHIMANO®

CALCUTTA TE

CTE-201



Part No.	Description	Part No.	Description	Part No.	Description
BNT0001	Handle Nut Plate Screw	BNT2228	Damper Guide Screw	BNT2458	Anti-Reverse Pawl Pin
BNT0011	Drive Shaft Retainer Screw	BNT2396	Roller Clutch Bearing	BNT2461	Damper (A)
BNT0015	Drag Spring Washer	BNT2404	Anti-Reverse Pawl	BNT2462	Damper Guide
BNT0032	Bearing Retainer	BNT2420	Star Drag Bearing	BNT2464	Brake Case
BNT0060	Spacer (optional)	BNT2421	Roller Clutch Inner Tube	BNT2469	Spool Assembly
BNT0133	Worm Shaft Retainer	BNT2422	Left Side Plate Screw (short)	BNT2547	Handle Nut
BNT0194	Ball Bearing	BNT2424	Left Side Plate Screw (long)	BNT2548	Handle Assembly
BNT0586	Bolt Retainer	BNT2425	Side Plate Open Nut	BNT2549	Star Drag
BNT0664	Spacer (B)	BNT2426	Open Nut Washer	BNT2550	Left Side Plate
BNT0686	"E" Lock	BNT2427	"O" Ring	BNT2551	Drive Gear
BNT0687	Spacer	BNT2428	Cast Control Cap	BNT2552	Drive Shaft
BNT0799	Friction Washer	BNT2429	"O" Ring	BNT2553	Frame Shield
BNT1218	Idle Gear (A) Spacer	BNT2430	Key Washer	BNT2554	Worm Bushing (A)
BNT1237	Shield Screw	BNT2431	Drag Washer (C)	BNT2555	Pinion Gear
BNT1476	Worm Shaft Spacer	BNT2433	Drag Washer (A)	BNT2556	Yoke
BNT1636	Clutch Cam Screw	BNT2434	Anti-Reverse Ratchet	BNT2557	Clutch Cam
BNT1672	"E" Lock	BNT2436	Idle Gear (A)	BNT2558	Clutch Pawl
BNT1696	Cast Control Spacer (B)	BNT2437	Drive Shaft Retainer	BNT2559	Clutch Pawl Spring
BNT1713	Brake Collar (green)	BNT2439	Level Wind Guide	BNT2560	Clutch Bar Guide (B)
BNT1727	Handle Nut Plate	BNT2440	Idle Gear (C)	BNT2561	Quick-Fire II Clutch Bar
BNT2127	Star Drag Spacer	BNT2442	Worm Shaft	BNT2562	Line Guide
BNT2128	Bearing Washer	BNT2443	Level Wind Guard	BNT2563	One-Piece Frame
BNT2143	Ball Bearing	BNT2445	Yoke Spring	BNT2564	Worm Bushing (B)
BNT2150	Line Guide Pawl	BNT2448	Clutch Plate	BNT2565	Right Side Plate
BNT2170	Ball Bearing	BNT2451	Set Pin	BNT3121	Side Plate Screw Collar
BNT2177	Right Side Plate Spring	BNT2452	Clutch Bar Guide (A)	BNT3218	Drive Shaft Washer
BNT2213	Clutch Cam Retainer	BNT2453	Clutch Bar Support		
BNT2224	Spool Tension Spacer (A)	BNT2457	Pawl Cap	BNT1715	Brake Collar (red)