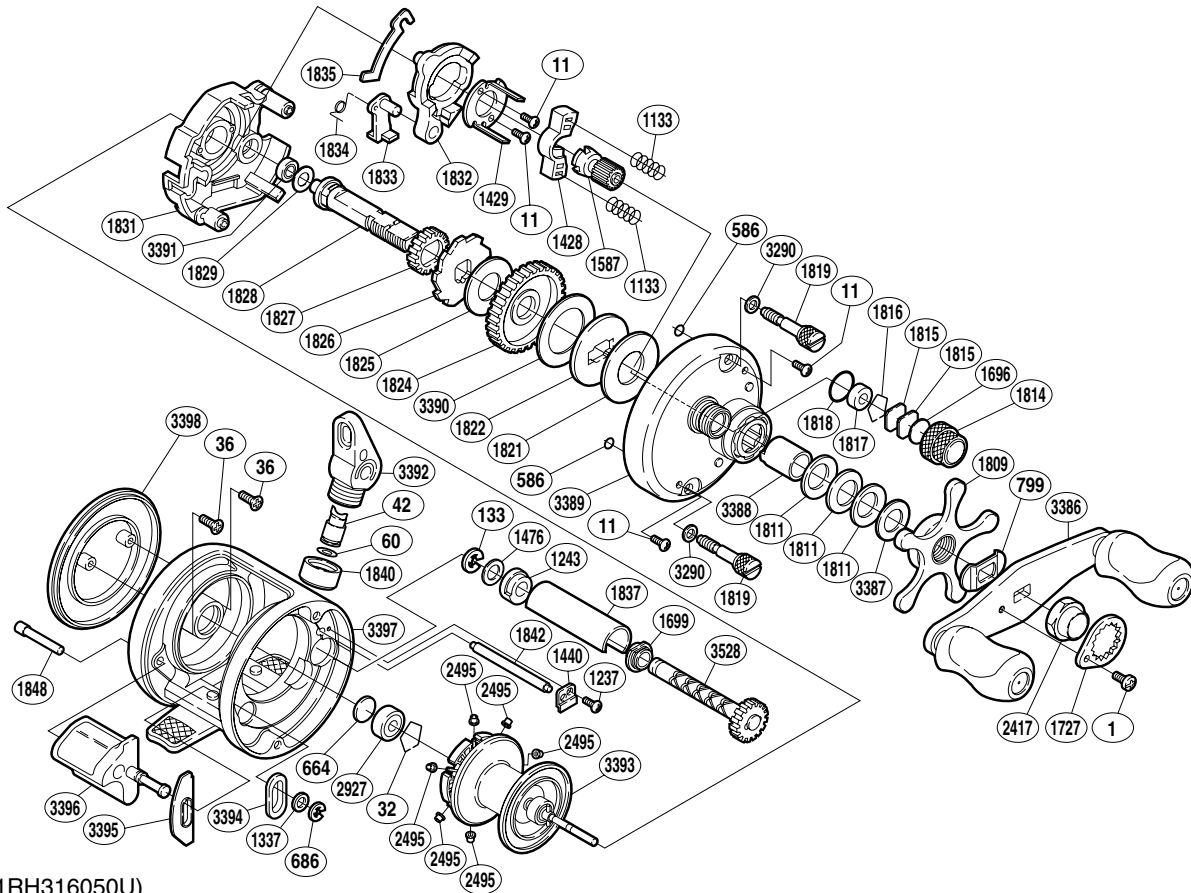


SHIMANO®

CALCUTTA ⚙️A-RB

CT-50B



(1RH316050U)

Part No.	Description	Part No.	Description	Part No.	Description
BNT0001	Screw	BNT1727	Handle Nut Plate	BNT1837	Level Wind Guard
BNT0011	Screw	BNT1809	Star Drag	BNT1840	Pawl Cap
BNT0032	Bearing Retainer	BNT1811	Coned Disc Spring	BNT1842	Level Wind Guide
BNT0036	Screw	BNT1814	Cast Control Cap	BNT1848	Clutch Bar Support
BNT0042	Line Guide Pawl	BNT1815	Spool Tension Spacer	BNT2417	Handle Nut
BNT0060	Spacer	BNT1816	Bearing Retainer	BNT2495	Brake Collar (green)
BNT0133	E Lock	BNT1817	Spool Shaft Bushing	BNT2927	Ball Bearing
BNT0586	O Ring	BNT1818	O Ring	BNT3290	Washer
BNT0664	Spacer B	BNT1819	Side Plate Bolt	BNT3386	Handle Assembly
BNT0686	E Lock	BNT1821	Drag Washer	BNT3387	Star Drag Spacer
BNT0799	Friction Washer	BNT1822	Key Washer	BNT3388	Roller Clutch Inner Tube
BNT1133	Yoke Spring	BNT1824	Drive Gear	BNT3389	Right Side Plate
BNT1237	Screw	BNT1825	Drag Washer	BNT3390	Drag Washer
BNT1243	Worm Bushing B	BNT1826	Anti-Reverse Ratchet	BNT3391	Ball Bearing
BNT1337	Spacer	BNT1827	Idle Gear A	BNT3392	Line Guide
BNT1428	Yoke	BNT1828	Drive Shaft	BNT3393	Spool Assembly
BNT1429	Clutch Cam Retainer	BNT1829	Spacer	BNT3394	Clutch Bar Guide A
BNT1440	Worm Bushing A Retainer	BNT1831	Set Plate	BNT3395	Clutch Bar Guide B
BNT1476	Spacer	BNT1832	Clutch Cam	BNT3396	Quick-Fire II Clutch Bar
BNT1587	Pinion Gear	BNT1833	Clutch Pawl	BNT3397	One-Piece Frame
BNT1696	Cast Control Spacer B	BNT1834	Clutch Pawl Spring	BNT3398	Left Side Plate
BNT1699	Worm Bushing A	BNT1835	Clutch Plate	BNT3528	Worm Shaft

(170401)