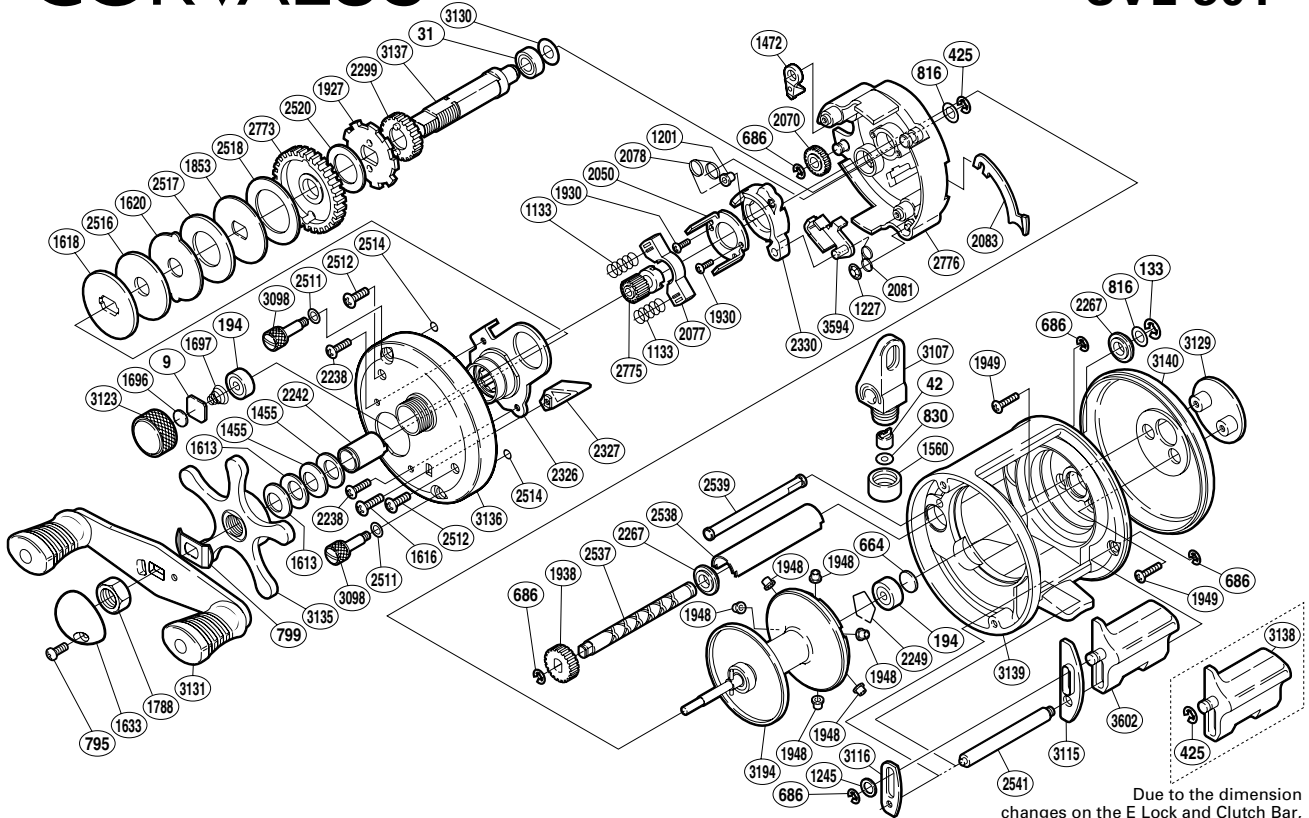


# SHIMANO

## CORVALUS

## CVL-301



Due to the dimension changes on the E Lock and Clutch Bar, please exchange both the E Lock and Clutch Bar as follows:

- Before change: E Lock BNT0425 (inside dia 3.0mm)  
Clutch Bar BNT3138 (outside dia 3.0mm)
- After change: E Lock BNT0686 (inside dia 2.5mm)  
Clutch Bar BNT3602 (outside dia 2.5mm)

(1RH560301U)

If the wrong combination is used, the reel will not be properly repaired.

Part No.	Description	Part No.	Description	Part No.	Description
BNT0009	Spacer	BNT1788	Handle Nut	BNT2518	Drag Washer BG
BNT0031	Ball Bearing	BNT1853	Key Washer A	BNT2520	Drive Shaft Washer B
BNT0042	Line Guide Pawl	BNT1927	Anti-Reverse Ratchet	BNT2537	Worm Shaft
BNT0133	E Lock	BNT1930	Idle Gear C	BNT2538	Level Wind Guard
BNT0194	Ball Bearing	BNT1938	Idle Gear B	BNT2539	Stabilizer Bar
BNT0425	E Lock	BNT1948	Brake Collar	BNT2541	Clutch Button Support Bar
BNT0664	Spacer B	BNT1949	Screw	BNT2773	Drive Gear
BNT0686	E Lock	BNT2050	Clutch Cam Retainer	BNT2775	Pinion Gear
BNT0795	Screw	BNT2070	Idle Gear A	BNT2776	Set Plate
BNT0799	Friction Washer	BNT2077	Yoke	BNT3098	Side Plate Nut
BNT0816	Washer	BNT2078	Retractor Spring	BNT3107	Line Guide
BNT0830	Spacer	BNT2081	Clutch Pawl Spring	BNT3115	Clutch Button Guide A
BNT1133	Yoke Spring	BNT2083	Clutch Plate	BNT3116	Clutch Button Guide B
BNT1201	Retractor Spring Collar	BNT2238	Screw	BNT3123	Cast Control Cap
BNT1227	Push Nut (SPN-2)	BNT2242	Roller Clutch Inner Tube	BNT3129	Side I.D. Plate
BNT1245	Spacer	BNT2249	Bearing Retainer	BNT3130	Washer
BNT1455	Drag Spring Washer H	BNT2267	Worm Bushing B	BNT3131	Handle Assembly
BNT1472	Anti-Reverse Pawl	BNT2299	Idle Gear A	BNT3135	Star Drag
BNT1560	Pawl Cap	BNT2326	Roller Clutch Assembly	BNT3136	Left Side Plate
BNT1613	Drag Spring Washer L	BNT2327	Return Pin Guide	BNT3137	Drive Shaft
BNT1616	Screw	BNT2330	Clutch Cam	BNT3139	One-Piece Frame
BNT1618	Key Washer C	BNT2511	Washer	BNT3140	Right Side Plate
BNT1620	Eared Washer	BNT2512	Screw	BNT3194	Spool Assembly
BNT1663	Handle Nut Plate	BNT2514	O Ring	BNT3594	Clutch Pawl
BNT1696	Spacer	BNT2516	Drag Washer AG	BNT3602	Quick-Fire II Clutch Bar
BNT1697	Spool Tension Spring	BNT2517	Drag Washer CG		

(181010)