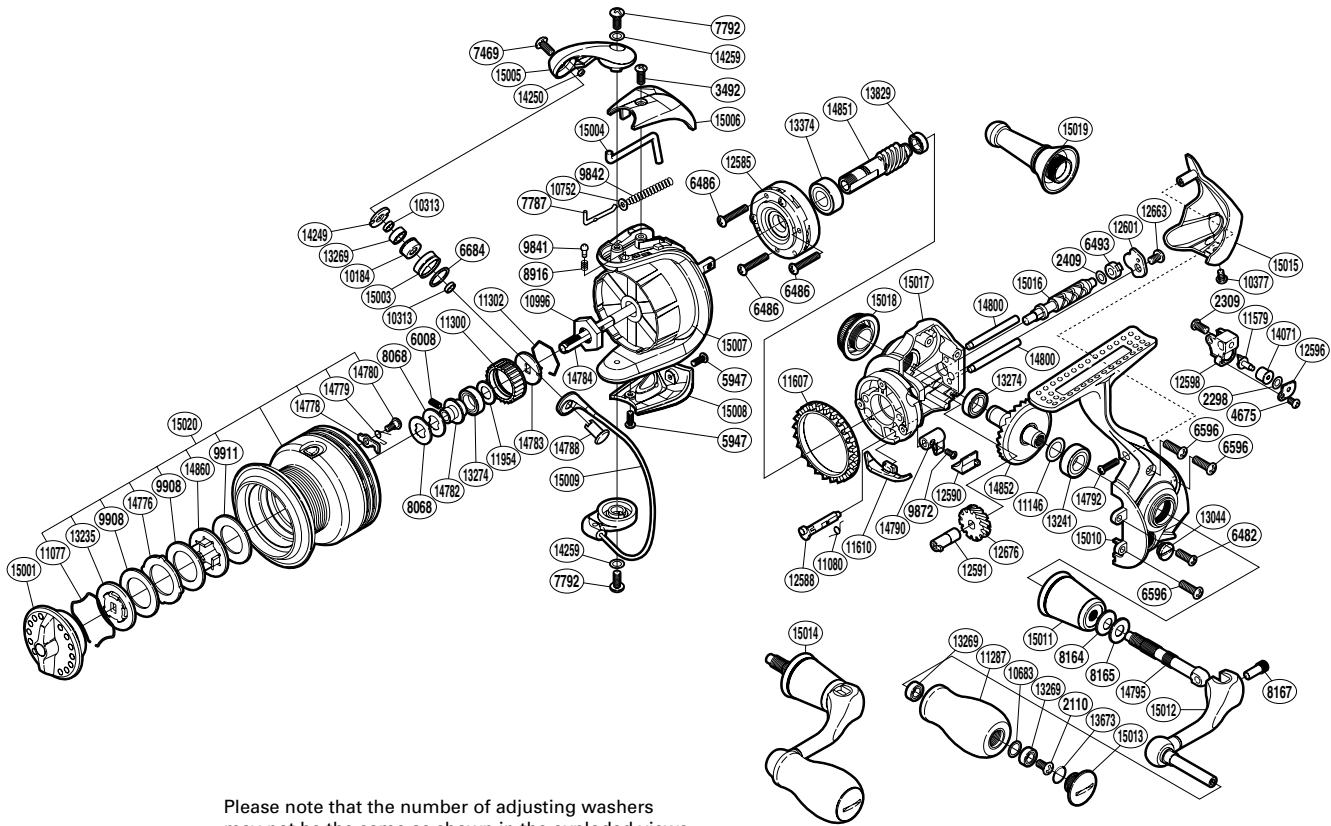


SHIMANO

SUSTAIN SA-RB

SA-3000FG



Please note that the number of adjusting washers may not be the same as shown in the exploded views. (Adjustment will vary with each individual product.)

(1SE573006U)

| Part No. | Description | Part No. | Description | Part No. | Description |
|----------|-----------------------------|----------|----------------------------|----------|-------------------------|
| RD 2110 | Screw | RD11080 | Anti-Reverse Cam Spring | RD14780 | Screw |
| RD 2298 | Spacer | RD11146 | Washer | RD14782 | Bearing Bushing |
| RD 2309 | Screw | RD11287 | Handle Knob | RD14783 | Spool Support |
| RD 2409 | Spacer | RD11300 | Drag Click Ratchet | RD14784 | Main Shaft |
| RD 3492 | Screw | RD11302 | Ratchet Spring | RD14788 | Line Roller Support |
| RD 4675 | Screw | RD11579 | Oscillating Pawl | RD14790 | Anti-Reverse Lever |
| RD 5947 | Screw | RD11607 | Friction Ring | RD14792 | Screw |
| RD 6008 | Set Screw | RD11610 | Bail Trip Strike | RD14795 | Handle Shaft |
| RD 6482 | Screw | RD11954 | Washer | RD14800 | Oscillating Guide |
| RD 6486 | Screw | RD12585 | Roller Clutch Assembly | RD14851 | Pinion Gear |
| RD 6493 | Worm Bushing (rear) | RD12588 | Anti-Reverse Cam | RD14852 | Drive Gear |
| RD 6596 | Screw | RD12590 | Anti-Reverse Lever Cover | RD14860 | Key Washer |
| RD 6684 | Line Roller Spacer | RD12591 | Worm Bushing (front) | RD15001 | Drag Knob |
| RD 7469 | Screw | RD12596 | Oscillating Pawl Cover | RD15003 | Line Roller |
| RD 7787 | Bail Spring Guide A | RD12598 | Oscillating Slider | RD15004 | Bail Trip Lever |
| RD 7792 | Screw | RD12601 | Worm Shaft Retainer | RD15005 | Bail Arm |
| RD 8068 | Spool Washer | RD12663 | Screw | RD15006 | Bail Spring Cover |
| RD 8164 | Coned Disc Spring | RD12676 | Idle Gear | RD15007 | Rotor |
| RD 8165 | Large Handle Shank Washer | RD13044 | Oil Cap | RD15008 | Bail Hold Support Guard |
| RD 8167 | Handle Shaft Screw | RD13235 | Key Washer | RD15009 | Bail Assembly |
| RD 8916 | Click Spring | RD13241 | Ball Bearing | RD15010 | Side Cover |
| RD 9841 | Click Pin | RD13269 | Ball Bearing | RD15011 | Handle Shaft Cover |
| RD 9842 | Bail Spring | RD13274 | Ball Bearing | RD15012 | Handle Shank Assembly |
| RD 9872 | Screw | RD13374 | Ball Bearing | RD15013 | Handle Knob Seal |
| RD 9908 | Drag Washer | RD13673 | O Ring | RD15014 | Handle Assembly |
| RD 9911 | Drag Washer | RD13829 | Ball Bearing | RD15015 | Rear Protector |
| RD10184 | Line Roller Bushing | RD14071 | Oscillating Slider Bushing | RD15016 | Worm Shaft |
| RD10313 | Bearing Spacer | RD14249 | Line Roller Plate | RD15017 | Body |
| RD10377 | Screw | RD14250 | Line Roller Oil Cap | RD15018 | Handle Screw Cap |
| RD10683 | Washer | RD14259 | Washer | RD15020 | Spool Assembly |
| RD10752 | Bail Spring Guide A Support | RD14776 | Eared Washer | | |
| RD10996 | Rotor Nut | RD14778 | Drag Click | | |
| RD11077 | Drag Washers Retainer | RD14779 | Drag Click Spring | RD15019 | Reel Stand (accessory) |