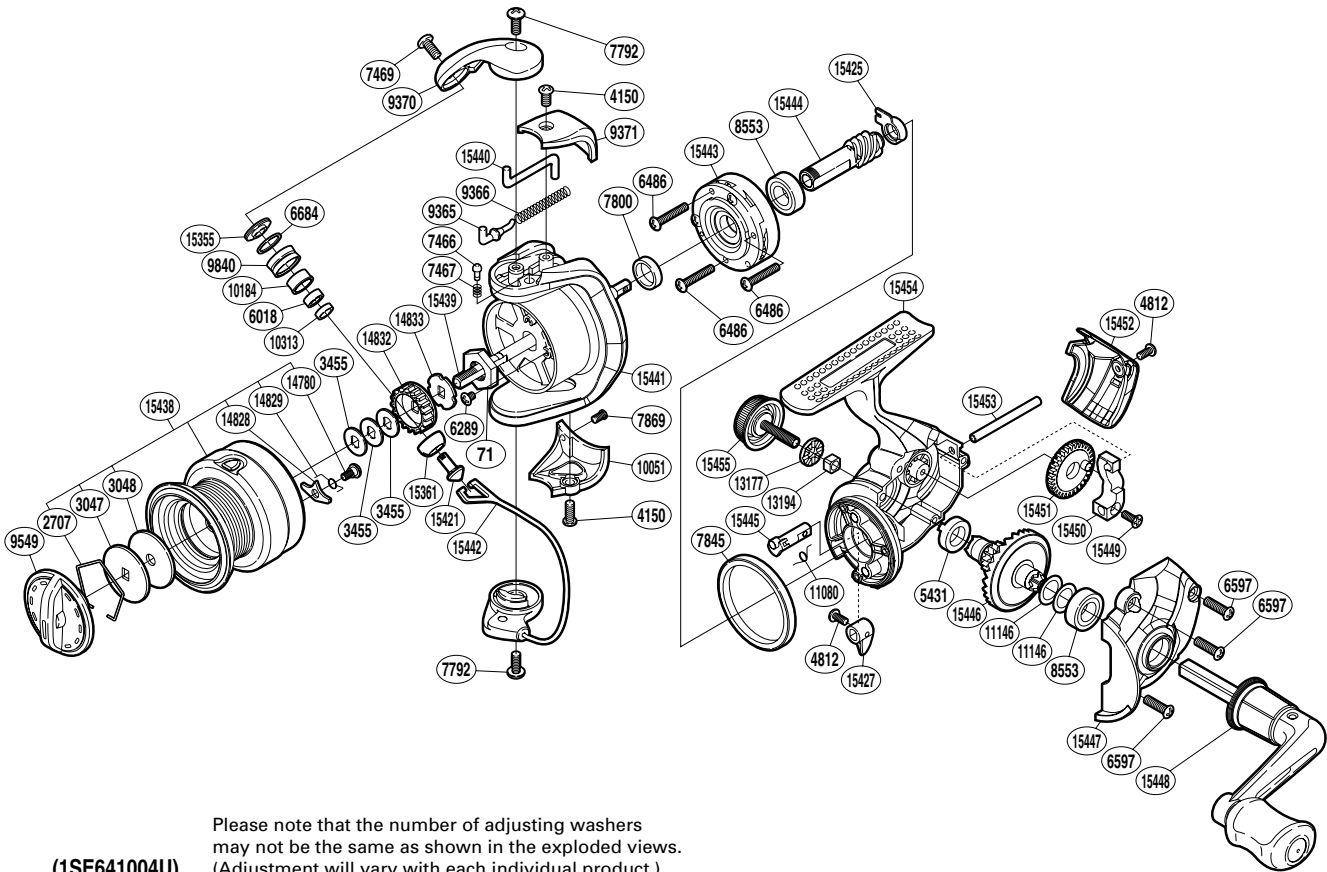


# SHIMANO

## SAHARA

SH-1000FE



Please note that the number of adjusting washers may not be the same as shown in the exploded views. (Adjustment will vary with each individual product.)

(1SE641004U)

Part No.	Description	Part No.	Description	Part No.	Description
RD 0071	Rotor Nut	RD 9365	Bail Spring Guide	RD15425	Pinion Gear Bushing
RD 2707	Drag Washers Retainer	RD 9366	Bail Spring	RD15427	Anti-Reverse Lever
RD 3047	Key Washer	RD 9370	Bail Arm	RD15438	Spool Assembly
RD 3048	Drag Washer	RD 9371	Bail Spring Cover	RD15439	Main Shaft
RD 3455	Spool Washer	RD 9549	Drag Knob	RD15440	Bail Trip Lever
RD 4150	Screw	RD 9840	Line Roller	RD15441	Rotor
RD 4812	Screw	RD10051	Bail Hold Support Guard	RD15442	Bail Assembly
RD 5431	Drive Gear Bushing	RD10184	Line Roller Bushing	RD15443	Roller Clutch Assembly
RD 6018	Ball Bearing	RD10313	Bearing Spacer	RD15444	Pinion Gear
RD 6289	Screw	RD11080	Anti-Reverse Cam Spring	RD15445	Anti-Reverse Cam
RD 6486	Screw	RD11146	Washer	RD15446	Drive Gear
RD 6597	Screw	RD13177	Handle Screw Cap Spacer	RD15447	Side Cover
RD 6684	Line Roller Spacer	RD13194	Handle Screw Lock	RD15448	Handle Assembly
RD 7466	Click Pin	RD14780	Screw	RD15449	Screw
RD 7467	Click Spring	RD14828	Drag Click	RD15450	Oscillating Slider
RD 7469	Screw	RD14829	Drag Click Spring	RD15451	Oscillating Gear
RD 7792	Screw	RD14832	Spool Support A	RD15452	Rear Protector
RD 7800	Rotor Ring	RD14833	Spool Support B	RD15453	Oscillating Guide
RD 7845	Friction Ring	RD15355	Line Roller Washer	RD15454	Body
RD 7869	Screw	RD15361	Line Roller Support Cover	RD15455	Handle Screw Cap
RD 8553	Ball Bearing	RD15421	Line Roller Support		