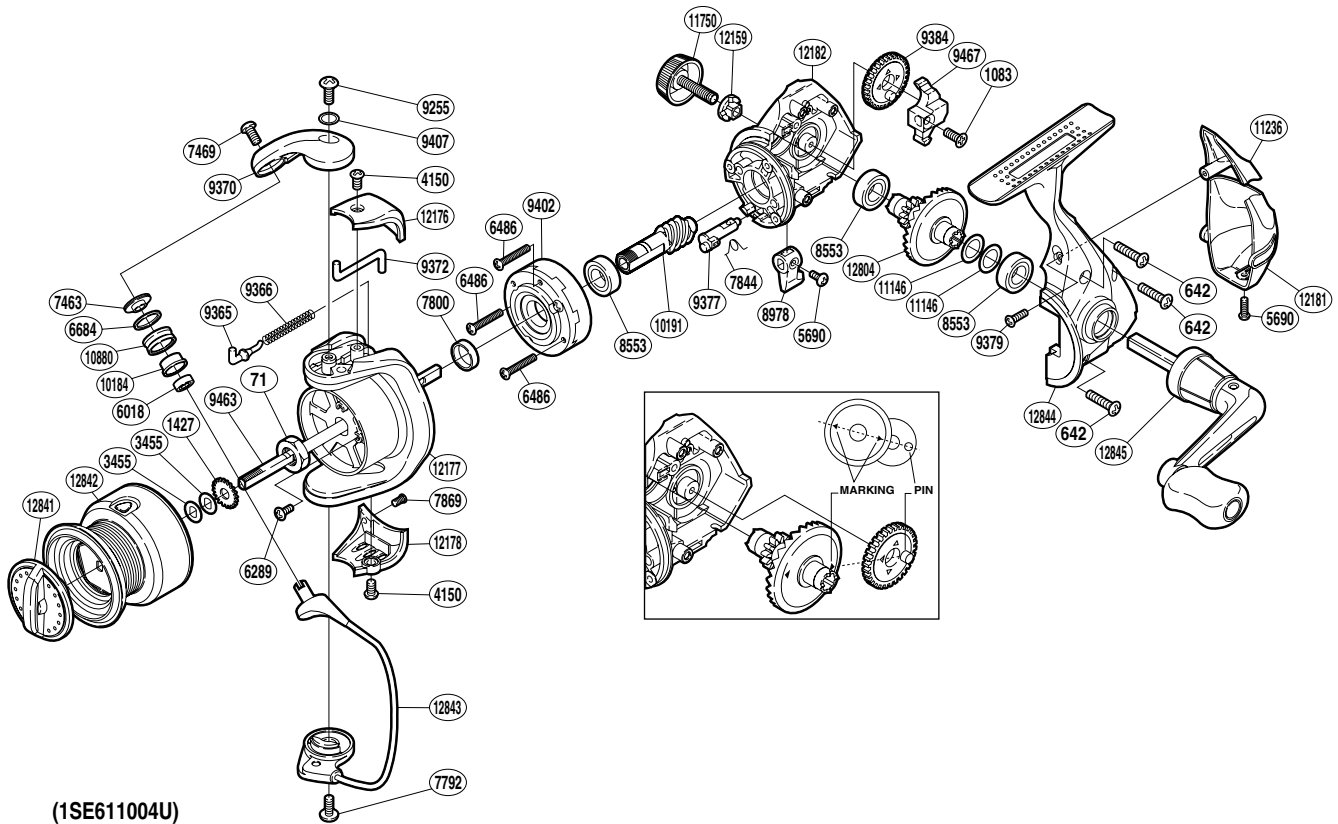


SHIMANO

SEDONA

SE-1000FD



(1SE611004U)

Please note that the number of adjusting washers may not be the same as shown in the exploded views. (Adjustment will vary with each individual product.)

| Part No. | Description | Part No. | Description | Part No. | Description |
|----------|-------------------------|----------|------------------------|----------|--------------------------|
| RD 0071 | Rotor Nut | RD 8553 | Ball Bearing | RD11146 | Washer |
| RD 0642 | Screw | RD 8978 | Anti-Reverse Lever | RD11236 | Rear Protector A |
| RD 1083 | Screw | RD 9255 | Screw | RD11750 | Handle Screw Cap |
| RD 1427 | Spool Support | RD 9365 | Bail Spring Guide | RD12159 | Handle Screw Lock Washer |
| RD 3455 | Spool Washer | RD 9366 | Bail Spring | RD12176 | Bail Spring Cover |
| RD 4150 | Screw | RD 9370 | Bail Arm | RD12177 | Rotor |
| RD 5690 | Screw | RD 9372 | Bail Trip Lever | RD12178 | Bail Hold Support Guard |
| RD 6018 | Ball Bearing | RD 9377 | Anti-Reverse Cam | RD12181 | Rear Protector B |
| RD 6289 | Screw | RD 9379 | Screw | RD12182 | Body |
| RD 6486 | Screw | RD 9384 | Oscillating Gear | RD12804 | Drive Gear |
| RD 6684 | Line Roller Spacer | RD 9402 | Roller Clutch Assembly | RD12841 | Drag Knob |
| RD 7463 | Line Roller Washer | RD 9407 | Washer | RD12842 | Spool Assembly |
| RD 7469 | Screw | RD 9463 | Main Shaft | RD12843 | Bail Assembly |
| RD 7792 | Screw | RD 9467 | Oscillating Slider | RD12844 | Side Cover |
| RD 7800 | Rotor Ring | RD10184 | Line Roller Bushing | RD12845 | Handle Assembly |
| RD 7844 | Anti-Reverse Cam Spring | RD10191 | Pinion Gear | | |
| RD 7869 | Screw | RD10880 | Line Roller | | |