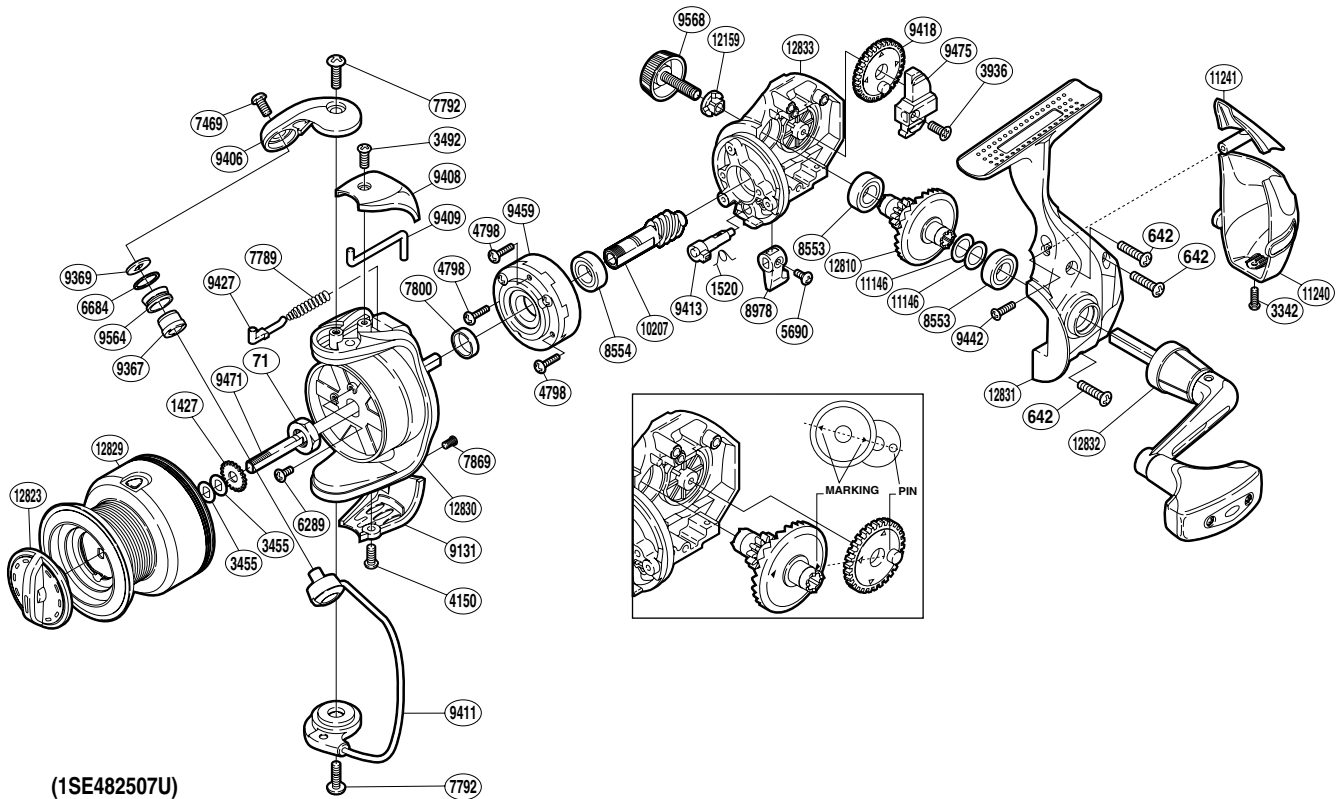


SHIMANO

SOLSTACE

SO-2500FI



(1SE482507U)

Please note that the number of adjusting washers may not be the same as shown in the exploded views. (Adjustment will vary with each individual product.)

Part No.	Description	Part No.	Description	Part No.	Description
RD 0071	Rotor Nut	RD 7869	Screw	RD 9475	Oscillating Slider
RD 0642	Screw	RD 8553	Ball Bearing	RD 9564	Line Roller
RD 1427	Spool Support	RD 8554	Ball Bearing	RD 9568	Handle Screw Cap
RD 1520	Anti-Reverse Cam Spring	RD 8978	Anti-Reverse Lever	RD10207	Pinion Gear
RD 3342	Screw	RD 9131	Bail Hold Support Guard	RD11146	Washer
RD 3455	Spool Washer	RD 9367	Line Roller Bushing	RD11240	Rear Protector B
RD 3492	Screw	RD 9369	Line Roller Washer	RD11241	Rear Protector A
RD 3936	Screw	RD 9406	Bail Arm	RD12159	Handle Screw Lock Washer
RD 4150	Screw	RD 9408	Bail Spring Cover	RD12810	Drive Gear
RD 4798	Screw	RD 9409	Bail Trip Lever	RD12823	Drag Knob
RD 5690	Screw	RD 9411	Bail Assembly	RD12829	Spool Assembly
RD 6289	Screw	RD 9413	Anti-Reverse Cam	RD12830	Rotor
RD 6684	Line Roller Spacer	RD 9418	Oscillating Gear	RD12831	Side Cover
RD 7469	Screw	RD 9427	Bail Spring Guide	RD12832	Handle Assembly
RD 7789	Bail Spring	RD 9442	Screw	RD12833	Body
RD 7792	Screw	RD 9459	Roller Clutch Assembly		
RD 7800	Rotor Ring	RD 9471	Main Shaft		