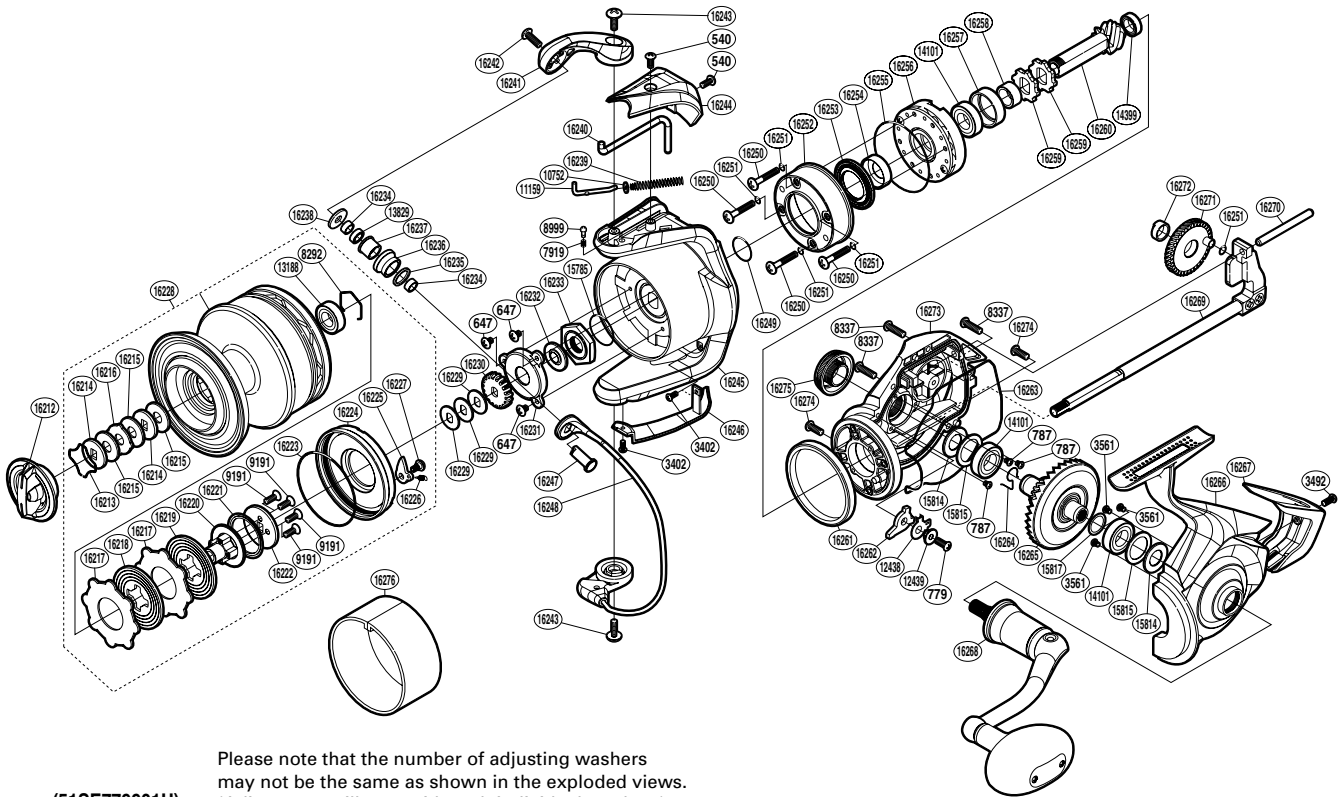


SHIMANO

Saragosa SA-RB

SRG-20000SW



Please note that the number of adjusting washers may not be the same as shown in the exploded views. (Adjustment will vary with each individual product.)

(51SE779901U)

| Part No. | Description | Part No. | Description | Part No. | Description |
|----------|--------------------------|----------|-------------------------|----------|---------------------------------|
| RD 0540 | Screw | RD16218 | Spool Drag Disk | RD16248 | Bail Assembly |
| RD 0647 | Screw | RD16219 | Spool Drag Disk | RD16249 | O Ring |
| RD 0779 | Screw | RD16220 | Bearing Bushing | RD16250 | Screw |
| RD 0787 | Screw | RD16221 | Bearing Water Proof | RD16251 | O Ring |
| RD 3402 | Screw | RD16222 | Spool Support | RD16252 | Roller Clutch Water Proof Cover |
| RD 3492 | Screw | RD16223 | O Ring | RD16253 | Roller Clutch Water Proof |
| RD 3561 | Screw | RD16224 | Drag Cover | RD16254 | Rotor Ring |
| RD 7919 | Click Spring | RD16225 | Drag Click | RD16255 | O Ring |
| RD 8292 | Bearing Retainer | RD16226 | Drag Click Spring | RD16256 | Roller Clutch Assembly |
| RD 8337 | Screw | RD16227 | Screw | RD16257 | Bearing Housing |
| RD 8999 | Click Pin | RD16228 | Spool Assembly | RD16258 | Pinion Gear Collar |
| RD 9191 | Screw | RD16229 | Spool Support Washer | RD16259 | Anti-Reverse Ratchet |
| RD10752 | Spring Guide A Support | RD16230 | Spool Support | RD16260 | Pinion Gear |
| RD11159 | Bail Spring Guide A | RD16231 | Nut Lock Plate | RD16261 | Friction Ring |
| RD12438 | Anti-Reverse Pawl Cover | RD16232 | Bearing Water Proof | RD16262 | Assist Anti-Reverse Pawl |
| RD12439 | Anti-Reverse Pawl Collar | RD16233 | Rotor Nut | RD16263 | Body Seal |
| RD13188 | Ball Bearing | RD16234 | Line Roller Collar | RD16264 | Anti-Reverse Pawl Spring |
| RD13829 | Ball Bearing | RD16235 | Line Roller Spacer | RD16265 | Drive Gear |
| RD14101 | Ball Bearing | RD16236 | Line Roller | RD16266 | Side Cover |
| RD14399 | Ball Bearing | RD16237 | Line Roller Bushing | RD16267 | Rear Protector |
| RD15785 | O Ring | RD16238 | Line Roller Washer | RD16268 | Handle Assembly |
| RD15814 | Bearing Water Proof | RD16239 | Bail Spring | RD16269 | Main Shaft Assembly |
| RD15815 | Washer | RD16240 | Bail Trip Lever | RD16270 | Oscillating Guide |
| RD15817 | Washer | RD16241 | Bail Arm | RD16271 | Oscillating Gear |
| RD16212 | Drag Knob | RD16242 | Screw | RD16272 | Oscillating Gear Bushing |
| RD16213 | Drag Washers Retainer | RD16243 | Screw | RD16273 | Body |
| RD16214 | Key Washer | RD16244 | Bail Spring Cover | RD16274 | Screw |
| RD16215 | Drag Washer | RD16245 | Rotor | RD16275 | Handle Screw Cap |
| RD16216 | Eared Washer | RD16246 | Bail Hold Support Guard | | |
| RD16217 | Drag Washer | RD16247 | Line Roller Support | RD16276 | Line Band (accessory) |