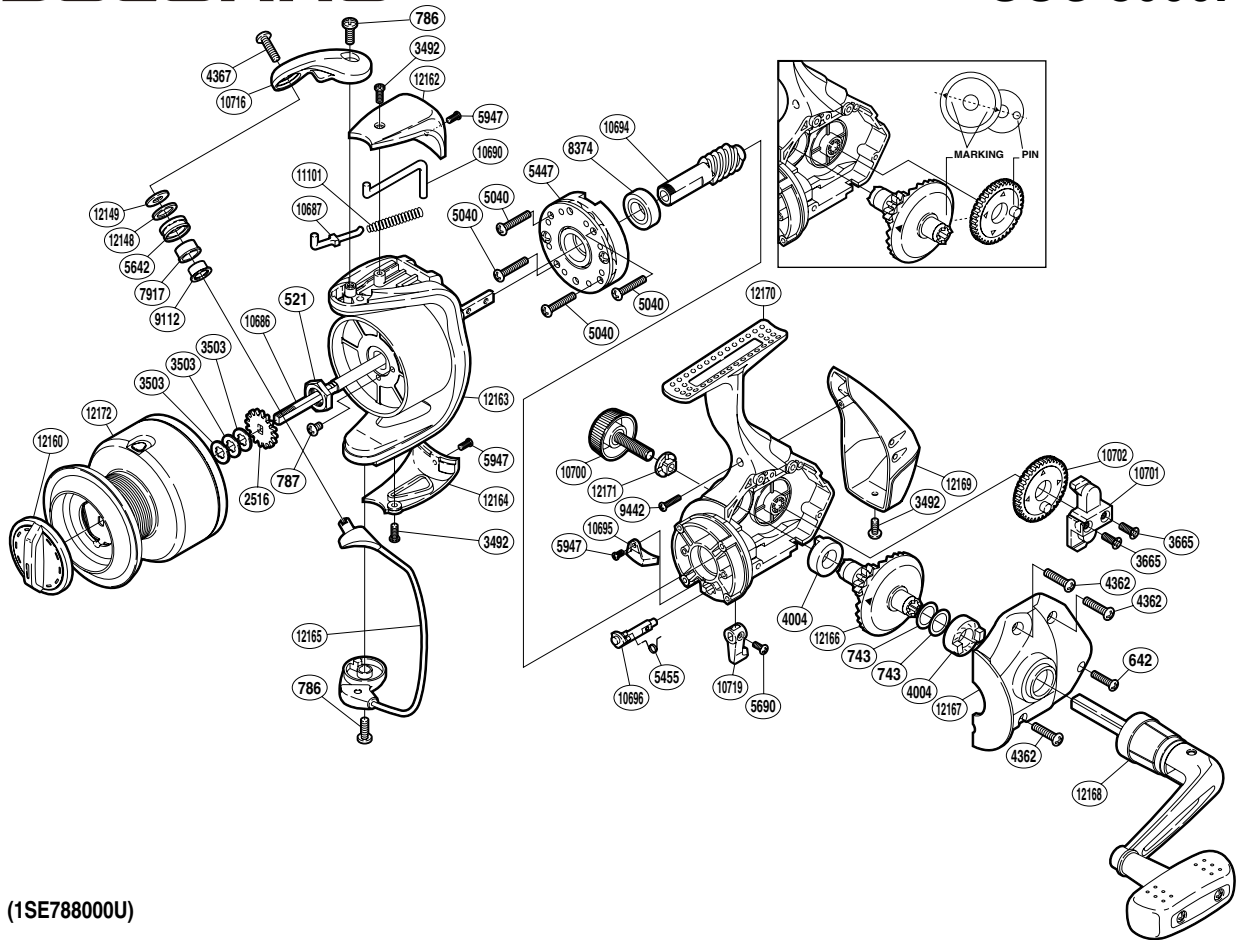


SHIMANO

SOCORRO

SOC-8000F



(1SE788000U)

| Part No. | Description | Part No. | Description | Part No. | Description |
|----------|-------------------------|----------|---------------------|----------|--------------------------|
| RD 0521 | Rotor Nut | RD 5690 | Screw | RD10719 | Anti-Reverse Lever |
| RD 0642 | Screw | RD 5947 | Screw | RD11101 | Bail Spring |
| RD 0743 | Washer | RD 7917 | Line Roller Bushing | RD12148 | Line Roller Spacer |
| RD 0786 | Screw | RD 8374 | Ball Bearing | RD12149 | Line Roller Washer |
| RD 0787 | Screw | RD 9112 | Line Roller Collar | RD12160 | Drag Knob |
| RD 2516 | Spool Support | RD 9442 | Screw | RD12162 | Bail Spring Cover |
| RD 3492 | Screw | RD10686 | Main Shaft | RD12163 | Rotor |
| RD 3503 | Spool Washer | RD10687 | Bail Spring Guide A | RD12164 | Bail Hold Support Guard |
| RD 3665 | Screw | RD10690 | Bail Trip Lever | RD12165 | Bail Assembly |
| RD 4004 | Drive Gear Bushing | RD10694 | Pinion Gear | RD12166 | Drive Gear |
| RD 4362 | Screw | RD10695 | Bail Trip Strike | RD12167 | Side Cover |
| RD 4367 | Screw | RD10696 | Anti-Reverse Cam | RD12168 | Handle Assembly |
| RD 5040 | Screw | RD10700 | Handle Screw Cap | RD12169 | Rear Protector |
| RD 5447 | Roller Clutch Assembly | RD10701 | Oscillating Slider | RD12170 | Body |
| RD 5455 | Anti-Reverse Cam Spring | RD10702 | Oscillating Gear | RD12171 | Handle Screw Lock Washer |
| RD 5642 | Line Roller | RD10716 | Bail Arm | RD12172 | Spool Assembly |

(191108)