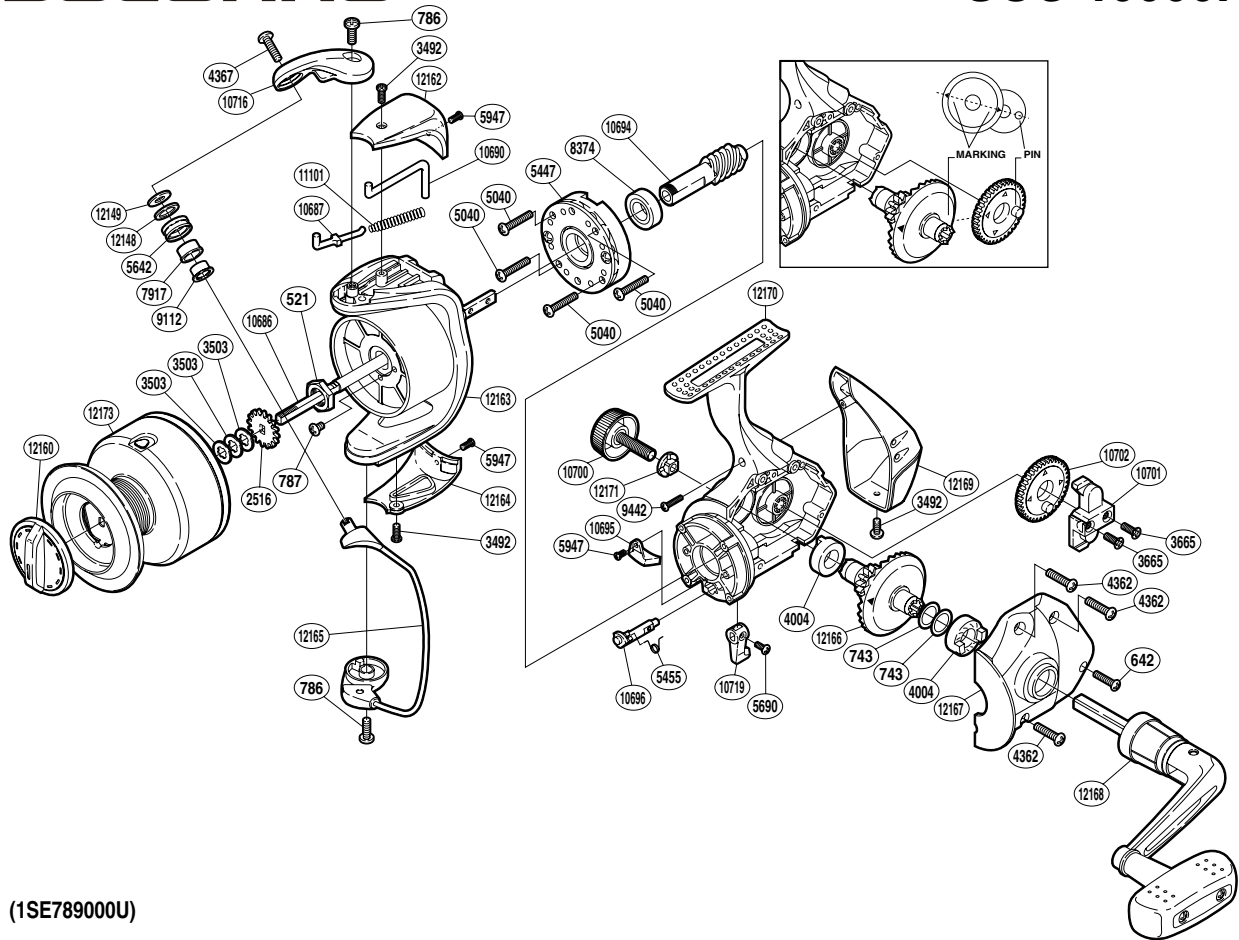


SHIMANO

SOCORRO

SOC-10000F



(1SE789000U)

Part No.	Description	Part No.	Description	Part No.	Description
RD 0521	Rotor Nut	RD 5690	Screw	RD10719	Anti-Reverse Lever
RD 0642	Screw	RD 5947	Screw	RD11101	Bail Spring
RD 0743	Washer	RD 7917	Line Roller Bushing	RD12148	Line Roller Spacer
RD 0786	Screw	RD 8374	Ball Bearing	RD12149	Line Roller Washer
RD 0787	Screw	RD 9112	Line Roller Collar	RD12160	Drag Knob
RD 2516	Spool Support	RD 9442	Screw	RD12162	Bail Spring Cover
RD 3492	Screw	RD10686	Main Shaft	RD12163	Rotor
RD 3503	Spool Washer	RD10687	Bail Spring Guide A	RD12164	Bail Hold Support Guard
RD 3665	Screw	RD10690	Bail Trip Lever	RD12165	Bail Assembly
RD 4004	Drive Gear Bushing	RD10694	Pinion Gear	RD12166	Drive Gear
RD 4362	Screw	RD10695	Bail Trip Strike	RD12167	Side Cover
RD 4367	Screw	RD10696	Anti-Reverse Cam	RD12168	Handle Assembly
RD 5040	Screw	RD10700	Handle Screw Cap	RD12169	Rear Protector
RD 5447	Roller Clutch Assembly	RD10701	Oscillating Slider	RD12170	Body
RD 5455	Anti-Reverse Cam Spring	RD10702	Oscillating Gear	RD12171	Handle Screw Lock Washer
RD 5642	Line Roller	RD10716	Bail Arm	RD12173	Spool Assembly