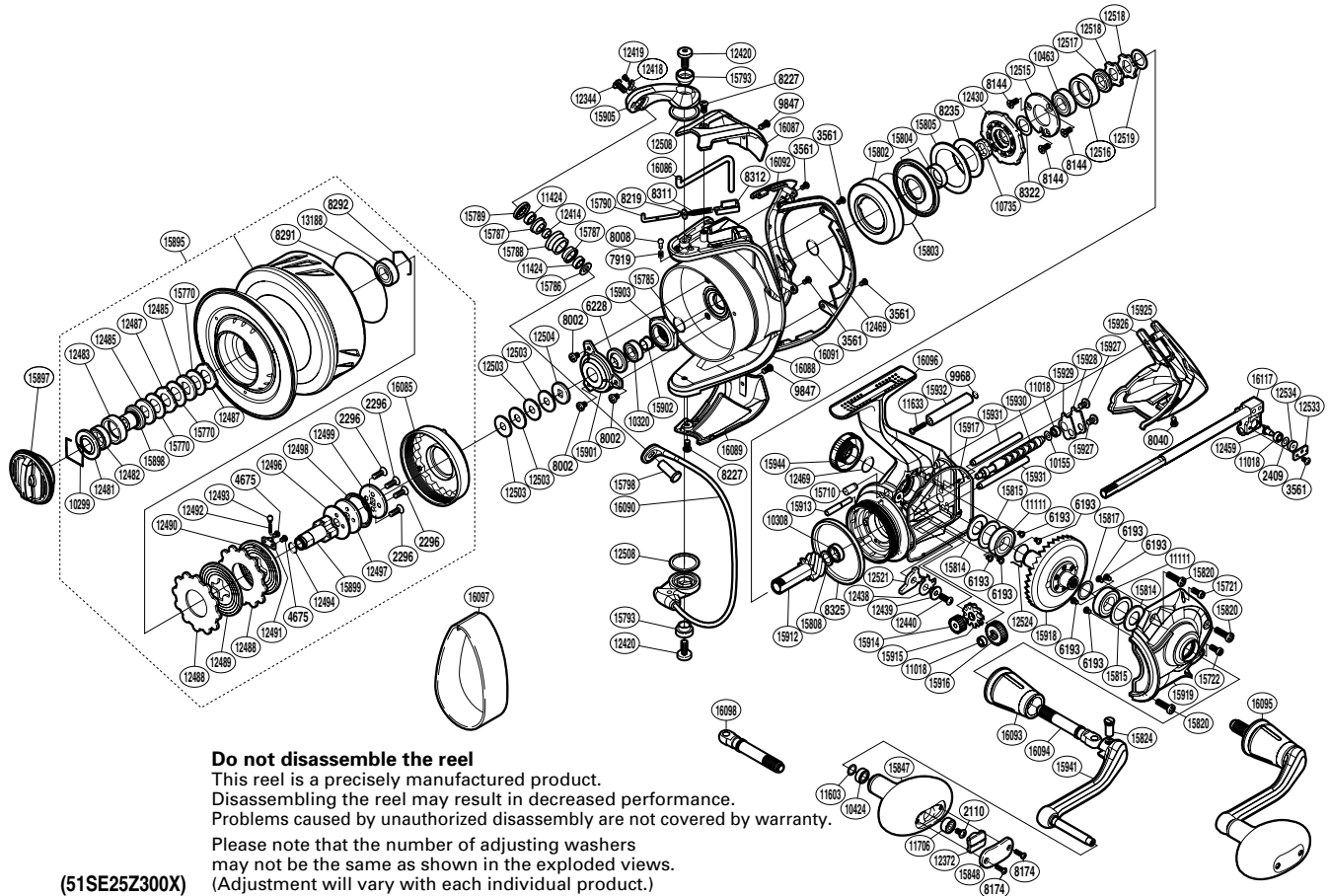


# SHIMANO

STELLA SA-RB

STLSW-30000



**Do not disassemble the reel**

This reel is a precisely manufactured product. Disassembling the reel may result in decreased performance. Problems caused by unauthorized disassembly are not covered by warranty.

Please note that the number of adjusting washers may not be the same as shown in the exploded views. (Adjustment will vary with each individual product.)

(51SE25Z300X)

Part No.	Description	Part No.	Description	Part No.	Description
RD 2110	Screw	RD12483	Thrust Bushing	RD15895	Spool Assembly
RD 2296	Screw	RD12485	Key Washer	RD15897	Drag Knob
RD 2409	Washer	RD12487	Eared Washer	RD15898	Bearing Support
RD 3561	Screw	RD12488	Drag Washer	RD15899	Bearing Bushing
RD 4675	Screw	RD12489	Spool Drag Disk	RD15901	Nut Lock Plate
RD 6193	Screw	RD12490	Spool Drag Disk	RD15902	Main Shaft Spacer
RD 6228	Bearing Water Proof	RD12491	Click Spring Holder	RD15903	Rotor Nut
RD 7919	Click Spring	RD12492	Click Spring	RD15905	Bail Arm
RD 8002	Screw	RD12493	Click Pin	RD15912	Pinion Gear
RD 8008	Click Pin	RD12494	O Ring	RD15913	Idle Gear B Shaft
RD 8040	Screw	RD12496	Spool Support C	RD15914	Idle Gear B S
RD 8144	Screw	RD12497	Spool Support A	RD15915	Idle Gear B L
RD 8174	Screw	RD12498	Bearing Water Proof	RD15916	Idle Gear
RD 8219	Spring Guide A Support	RD12499	Spool Support B	RD15917	Body Seal
RD 8227	Screw	RD12503	Spool Washer	RD15918	Drive Gear
RD 8235	Roller Clutch Reinforce	RD12504	Spool Support D	RD15919	Side Cover
RD 8291	O Ring	RD12508	Washer	RD15925	Rear Protector
RD 8292	Bearing Retainer	RD12515	Bearing Retainer	RD15926	Rear Shield
RD 8311	Bail Spring	RD12516	Bearing Housing	RD15927	Screw
RD 8312	Bail Spring Seat	RD12517	Pinion Gear Collar	RD15928	Worm Shaft Retainer
RD 8322	Washer	RD12518	Anti-Reverse Ratchet	RD15929	Worm Shaft Retainer Washer
RD 8325	Friction Ring	RD12519	Washer	RD15930	Worm Shaft
RD 9347	Screw	RD12521	Assist Anti-Reverse Pawl	RD15931	Oscillating Guide
RD 9968	O Ring	RD12524	Anti-Reverse Pawl Spring	RD15932	Rear Protector Collar
RD10155	Spacer	RD12533	Oscillating Pawl Cover	RD15941	Handle Shank Assembly
RD10299	Drag Washers Retainer	RD12534	Oscillating Slider Bushing	RD15944	Handle Screw Cap
RD10308	Ball Bearing	RD13188	Ball Bearing	RD16085	Drag Cover
RD10320	Ball Bearing	RD15710	Body Flange Seal	RD16086	Bail Trip Lever
RD10424	Ball Bearing	RD15721	Screw	RD16087	Bail Spring Cover
RD10463	Ball Bearing	RD15722	Screw	RD16088	Rotor
RD10735	Stopper	RD15770	Drag Washer	RD16089	Bail Hold Support Guard
RD11018	Ball Bearing	RD15785	O Ring	RD16090	Bail Assembly
RD11111	Ball Bearing	RD15786	Line Roller Support Collar	RD16091	Rotor Guard A
RD11424	Ball Bearing	RD15787	Line Roller Bushing	RD16092	Rotor Guard B
RD11603	Washer	RD15788	Line Roller	RD16093	Handle Shaft Cover
RD11633	Screw	RD15789	Line Roller Plate	RD16094	Handle Shaft (left)
RD11706	Ball Bearing	RD15790	Bail Spring Guide A	RD16095	Handle Assembly
RD12344	Screw	RD15793	Screw Collar	RD16096	Body
RD12372	Handle Knob Seal	RD15798	Line Roller Support	RD16117	Main Shaft Assembly
RD12414	Bearing Spacer	RD15802	Roller Clutch Cover		
RD12418	Screw Retainer	RD15803	O Ring	RD16097	Line Band LL (accessory)
RD12419	Screw Support	RD15804	Roller Clutch Water Proof Set	RD16098	Handle Shaft (right) (accessory)
RD12420	Screw	RD15805	Roller Clutch Seal	RD16003	SSRO-01 Oil (accessory)
RD12430	Roller Clutch Assembly	RD15808	Washer		
RD12438	Anti-Reverse Pawl Cover	RD15814	Bearing Water Proof	PK 0172	Line Roller Set
RD12439	Anti-Reverse Pawl Collar	RD15815	Washer	PK 0183	Gear Set
RD12440	Screw	RD15817	Washer	PK 0181	Oscillation Set
RD12459	Oscillating Pawl	RD15820	Screw	PK 0182	Bail Spring Set
RD12469	O Ring	RD15824	Handle Shaft Screw	PK 0176	Bearing Set
RD12481	Seal Plate	RD15847	Handle Knob	PK 0177	Drag Clicker Set
RD12482	Ball Bearing	RD15848	Handle Knob I.D. Plate		