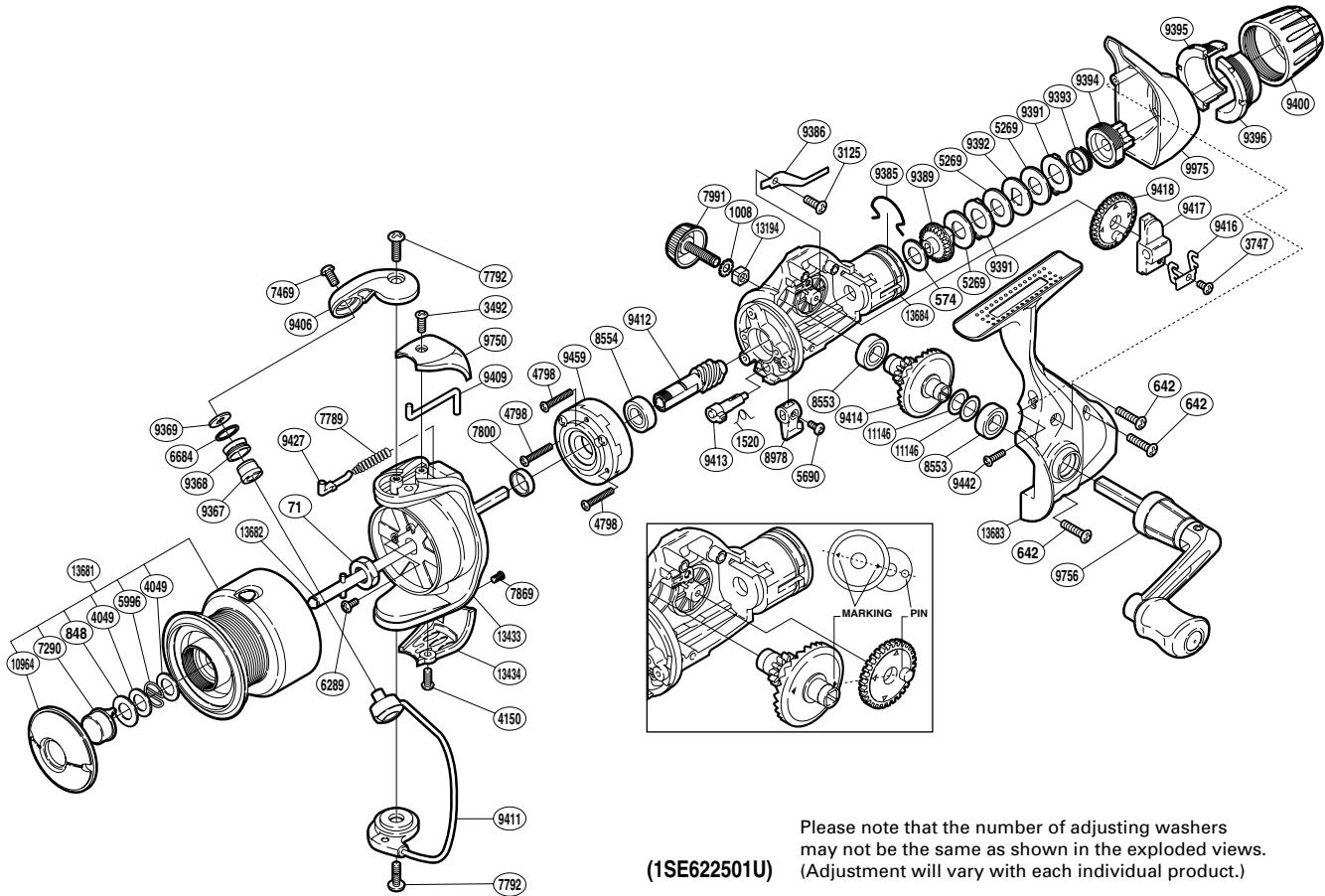


SHIMANO

SIENNA

SN-2500RD



Please note that the number of adjusting washers may not be the same as shown in the exploded views. (Adjustment will vary with each individual product.)

(1SE622501U)

Part No.	Description	Part No.	Description	Part No.	Description
RD 0071	Rotor Nut	RD 7869	Screw	RD 9413	Anti-Reverse Cam
RD 0574	Drag Washer	RD 7991	Handle Screw Cap	RD 9414	Drive Gear
RD 0642	Screw	RD 8553	Ball Bearing	RD 9416	Oscillating Slider Retainer
RD 0848	Washer	RD 8554	Ball Bearing	RD 9417	Oscillating Slider
RD 1008	Handle Lock Washer	RD 8978	Anti-Reverse Lever	RD 9418	Oscillating Gear
RD 1520	Anti-Reverse Cam Spring	RD 9367	Line Roller Bushing	RD 9427	Bail Spring Guide
RD 3125	Screw	RD 9368	Line Roller	RD 9442	Screw
RD 3492	Screw	RD 9369	Line Roller Washer	RD 9459	Roller Clutch Assembly
RD 3747	Screw	RD 9385	Hold Click Spring	RD 9750	Bail Spring Cover
RD 4049	Washer	RD 9386	Drag Click	RD 9756	Handle Assembly
RD 4150	Screw	RD 9389	Drag Shaft	RD 9775	Rear Protector
RD 4798	Screw	RD 9391	Eared Washer	RD10964	Push Button Collar
RD 5269	Drag Washer	RD 9392	Key Washer	RD11146	Washer
RD 5690	Screw	RD 9393	Drag Coil Spring	RD13194	Handle Screw Lock
RD 5996	Locking Spring	RD 9394	Pressure Screw	RD13433	Rotor
RD 6289	Screw	RD 9395	Drag Programmer B1	RD13434	Bail Hold Support Guard
RD 6684	Line Roller Spacer	RD 9396	Drag Programmer B2	RD13681	Spool Assembly
RD 7290	Push Button	RD 9400	Drag Programmer A	RD13682	Main Shaft
RD 7469	Screw	RD 9406	Bail Arm	RD13683	Side Cover
RD 7789	Bail Spring	RD 9409	Bail Trip Lever	RD13684	Body
RD 7792	Screw	RD 9411	Bail Assembly		
RD 7800	Rotor Ring	RD 9412	Pinion Gear		