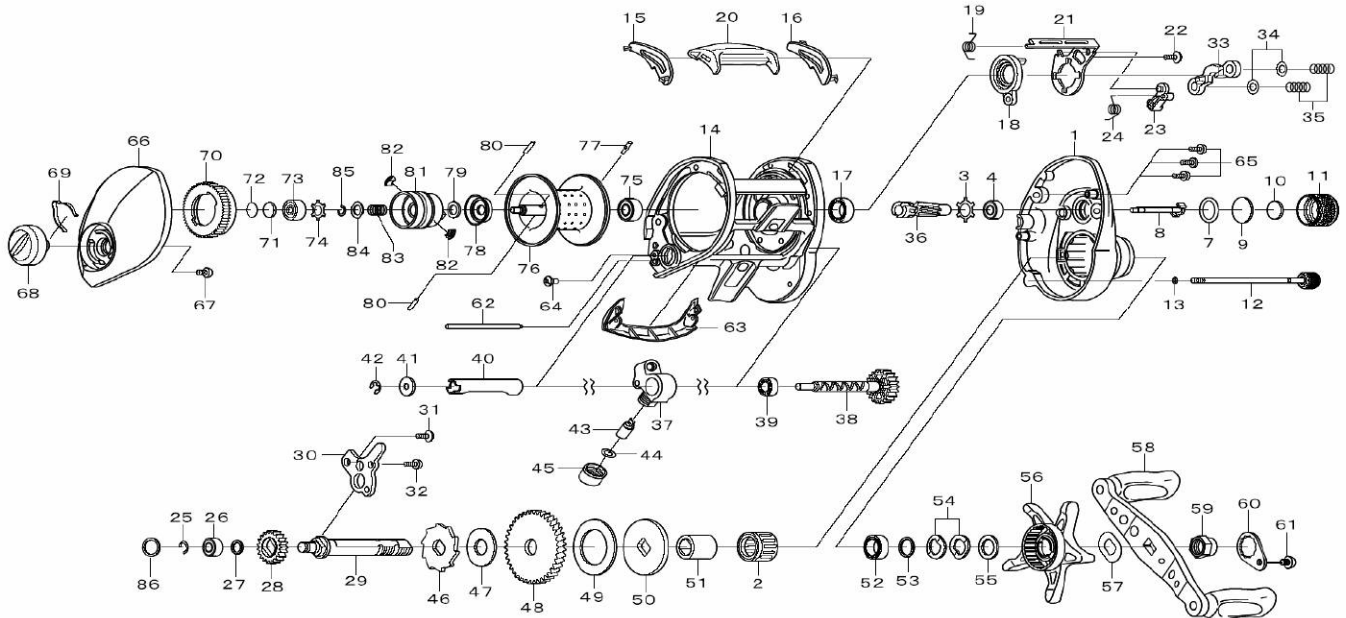


Please order by parts number, not key number
 Veuillez indiquer le numéro de la pièce.



AGGREST 100HSA



Key No.	Parts No.	Parts Name
1	H00-0620	Right side plate
2	F55-2704	Roller clutch
3	H18-0601	Bearing retainer (A)
4	B35-8607	Ball bearing (A)
7	B05-5201	"0" ring (A)
8	G93-1001	Pinion shaft
9	375-7501	Spool adjusting cap metal
10	B17-5503	Spacer (A)
11	H21-3602	Cast control cap
12	H34-8501	Right side plate screw (A)
13	B85-3101	"0" ring (B)
14	H34-8601	Frame
15	H01-3601	Spacer (B)
16	H01-3501	Spacer (C)
17	B86-1704	Ball bearing (B)
18	G93-1601	Clutch cam (A)
19	G93-1701	Clutch cam spring (A)
20	G93-1801	Clutch lever
21	G93-1901	Clutch cam (B)
22	352-2501	Clutch cam screw
23	G93-2001	Clutch trip lever
24	G93-2101	Clutch cam spring (B)
25	320-8002	Retainer (A)
26	B35-8607	Ball bearing (C)
27	E09-6501	Washer (A)
28	G93-2201	Drive gear (A)
29	H20-5201	Drive shaft
30	G93-2401	Drive shaft retainer
31	352-2501	Drive shaft retainer screw (A)
32	351-1001	Drive shaft retainer screw (B)
33	G93-3501	Yoke
34	B41-1706	Yoke washer
35	G85-0301	Yoke spring
36	H34-9001	Pinion gear
37	H00-1704	Line guide
38	H34-9101	Worm shaft assembly
39	G05-1701	Bearing (A)

Key No.	Parts No.	Parts Name
40	G93-4201	Level wind guard
41	F65-5501	Worm shaft washer
42	320-5901	Worm shaft retainer
43	F51-6501	Line guide pawl
44	373-1300	Line guide washer
45	F40-2801	Pawl cap
46	H35-0901	Clutch wheel
47	G93-4401	Drive shaft washer
48	H34-9201	Drive gear (B)
49	H35-9001	Drag washer
50	G93-4701	Key washer
51	G93-4802	Gear shaft collar
52	B86-1704	Ball bearing (D)
53	B55-3801	Bearing washer
54	150-8901	Drag spring washer
55	373-7816	Spacing sleeve
56	H18-3901	Star drag
57	150-9001	Friction washer
58	H34-9301	Handle assembly
59	G79-3307	Handle nut
60	040-3206	Handle nut plate
61	353-8301	Handle nut plate screw
62	H00-2401	Stabilizer bar
63	H01-4201	Front plate
64	G61-1501	Front plate screw
65	351-1001	Right side plate screw (B)
66	H34-9501	Left side plate
67	F21-2201	Set plate screw
68	G93-6219	Brake adjusting knob
69	H08-4401	Brake click spring
70	H02-9701	Magnet holder
71	375-7411	Spacer (D)
72	375-7404	Spacer (E)
73	G51-1507	Ball bearing (E)
74	H18-0501	Bearing retainer (B)
75-85	Z01-9337	Spool assembly
86	H30-6600	Washer (B)