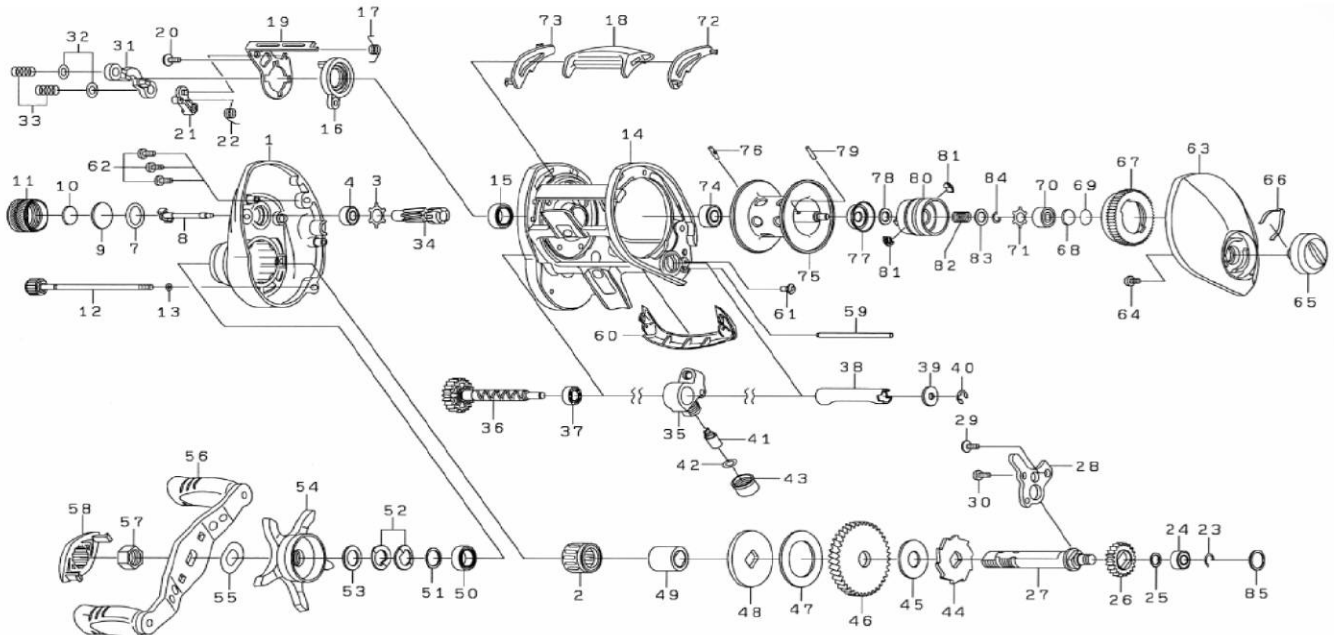




Please order by parts number, not key number  
 Veuillez indiquer le numéro de la pièce.

# BAITCASTING REEL EXCELER 100PL



Key No.	Parts No.	Parts Name	Key No.	Parts No.	Parts Name
1	H01-5110	Left side plate	40	320-5901	Worm shaft retainer
2	G93-0501	Roller clutch	41	F51-6501	Line guide pawl
3	H18-0601	Bearing retainer (A)	42	373-1300	Line guide washer
4	B35-8607	Ball bearing (A)	43	F40-2801	Pawl rap
7	B05-5201	O ring (A)	44	G93-4301	Clutch wheel
8	G93-1001	Pinion shaft	45	G93-4401	Drive shaft washer
9	375-7501	Spool adjusting cap metal	46	H49-8901	Drive gear (B)
10	B17-5503	Spacer (A)	47	G93-4601	Drag washer
11	H21-3601	Cast control cap	48	G93-4701	Key washer
12	G93-1101	Left side plate screw (A)	49	G93-4801	Gear shaft collar
13	B85-3101	'O' ring (B)	50	B86-1704	Ball bearing (B)
14	H01-5213	Frame assembly	51	B55-3801	Bearing washer
15	B86-1704	Ball bearing (B)	52	150-8901	Drag spring washer
16	G97-4401	Clutch cam (A)	53	373-7810	Spacing sleeve
17	G97-4501	Clutch cam spring (A)	54	H10-8902	Star drag
18	G93-1801	Clutch lever	55	150-9001	Friction washer
19	G97-4601	Clutch cam (B)	56	H01-3802	Handle assembly
20	352-2501	Clutch cam screw	57	F84-9904	Handle nut
21	G97-4701	Clutch trip lever	58	G96-9901	Handle nut plate
22	G97-4801	Clutch cam spring (B)	59	H00-2401	Stabilizer bar
23	320-8002	Retainer (A)	60	H01-7502	Front plate
24	B35-8607	Ball bearing (A)	61	G61-1501	Front plate screw
25	E09-6501	Washer (A)	62	351-1001	Left side plate screw (B)
26	G93-2201	Drive gear (A)	63	H19-0701	Right side plate
27	G93-2302	Drive Shaft	64	F21-2201	Set plate screw
28	G93-2401	Drive shaft retainer	65	G93-6209	Brake adjusting knob
29	352-2501	Drive shaft retainer screw (A)	66	H08-4401	Brake click spring
30	351-1001	Drive shaft retainer screw (B)	67	H02-9701	Magnet Holder
31	G97-5201	Yoke	68	375-7411	Spacer (B)
32	B41-1706	Yoke washer	69	375-7404	Spacer (C)
33	G85-0301	Yoke spring	70	G51-1505	Ball bearing (C)
34	H49-8801	Pinion gear	71	H18-0501	Bearing retainer (B)
35	H00-1703	Line guide	72	H01-3501	Spacer (D)
36	G93-9901	Worm shaft assembly	73	H01-3601	Spacer (E)
37	G05-1701	Bearing (A)	74-84	Z01-9744	Spool assembly
38	G93-4201	Level wind guard	85	H30-6600	Washer (B)
39	F65-5501	Worm shaft washer			