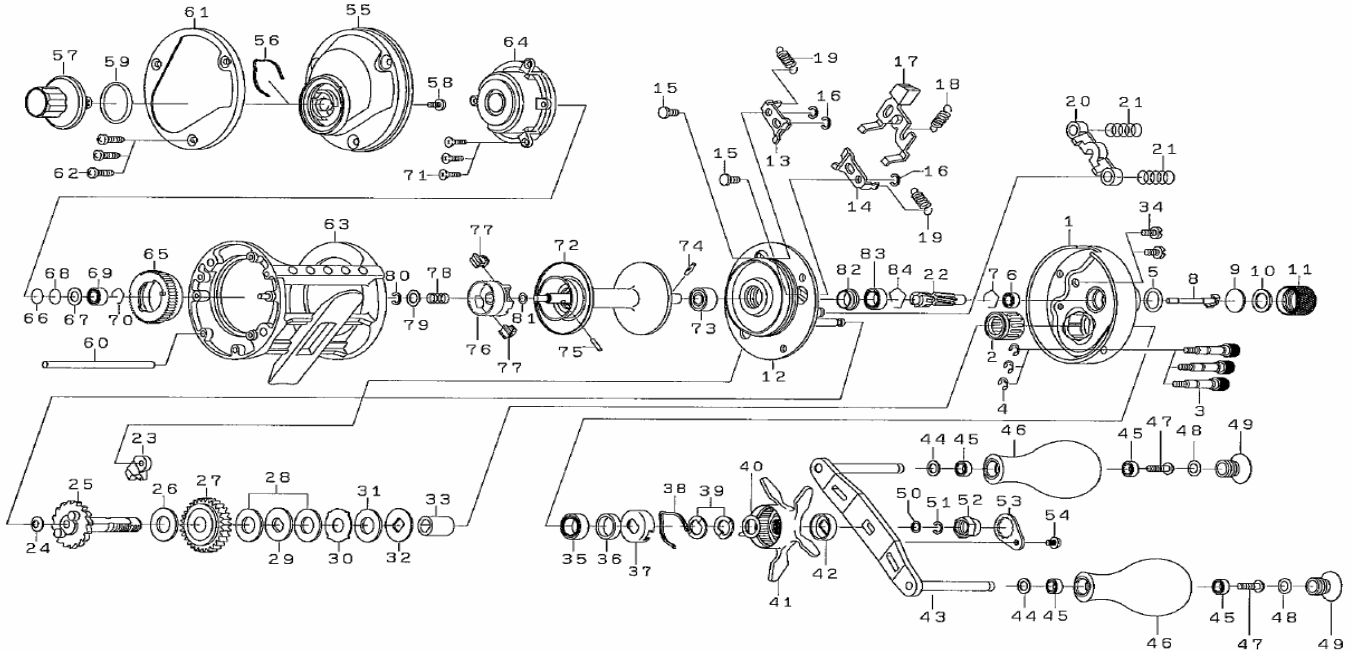


Please order by parts number, not key number  
 Veuillez indiquer le numéro de la pièce (Non "Key" No.)



## BAITCASTING REEL **MILLIONAIRE 7HT MAG SUPER TUNED**



Key No.	Parts No.	Parts Name	Key No.	Parts No.	Parts Name
1	H58-6301	Right side plate	39	150-8901	Drag spring washer
2	F99-9803	Roller clutch	40	G69-4201	Spacing sleeve
3	E46-5402	Right side plate screw	41	H23-8605	Star drag
4	320-5901	Right side plate screw retainer	42	F85-0404	Spacer (C)
5	171-5201	"O" ring (A)	43	H47-5201	Handle Arm
6	G43-0901	Ball bearing (A)	44	F30-6400	Handle knob washer
7	E21-9701	Bearing retainer (A)	45	G46-9001	Ball bearing (C)
8	F74-4101	Pinion shaft	46	H27-8405	Handle knob
9	B17-5503	Spacer (A)	47	B67-9308	Handle knob screw (A)
10	B17-5401	Spacer (B)	48	H10-0001	"O" ring (B)
11	H58-6601	Cast control cap	49	H27-8804	Handle knob screw (B)
12	H58-6701	Set plate AS	50	B55-4301	Handle nut washer
13	040-4701	Clutch trip plate (A)	51	B33-9801	Handle nut retainer
14	040-4801	Clutch trip plate (B)	52	H07-0902	Handle nut
15	121-6801	Set plate screw	53	040-3201	Handle nut plate
16	320-8202	Clutch trip plate retainer	54	353-8302	Handle nut plate screw
17	B33-7302	Yoke plate	55	H58-7001	Left side plate
18	H06-9901	Yoke plate spring	56	H08-6201	Brake click spring
19	H07-0001	Clutch trip plate spring	57	H58-7201	Brake adjusting knob
20	B33-7501	Yoke	58	351-7709	Brake adjusting screw
21	B33-7601	Yoke spring	59	G48-8801	"O" ring (B)
22	H07-0101	Pinion gear	60	E31-6004	Stabilizer bar
23	770-0301	Anti-reverse pawl	61	H07-1502	Left side outer ring
24	373-7611	Drive shaft washer (A)	62	H57-5301	Left side plate screw
25	H07-0201	Drive shaft	63	H58-7602	Frame assembly
26	374-9302	Drive shaft washer (B)	64	H07-1701	Set plate
27	H07-0401	Drive gear	65	H07-1901	Magnet holder
28	G42-8501	Drag washer	66	375-7404	Spacer (C)
29	F79-6301	Key washer	67	G18-5101	Spacer (D)
30	F79-6101	Eared washer	68	375-7411	Spacer (E)
31	G45-5801	Drag washer	69	G51-1502	Ball bearing (E)
32	B36-0303	Key washer	70	E21-9701	Bearing retainer (B)
33	G82-5201	Gear shaft collar	71	G21-2901	Set plate screw
34	353-1702	Right side plate screw (A)	72-80	Z02-0297	Spool assembly
35	E15-4001	Ball bearing (B)	81	F57-4303	Spacer (F)
36	H58-6801	Bearing collar	82	G76-0501	Collar
37	F02-8201	Click leaf spring holder	83	G43-1001	Ball bearing (F)
38	F03-2401	Click leaf spring	84	G22-7401	Bearing retainer (C)