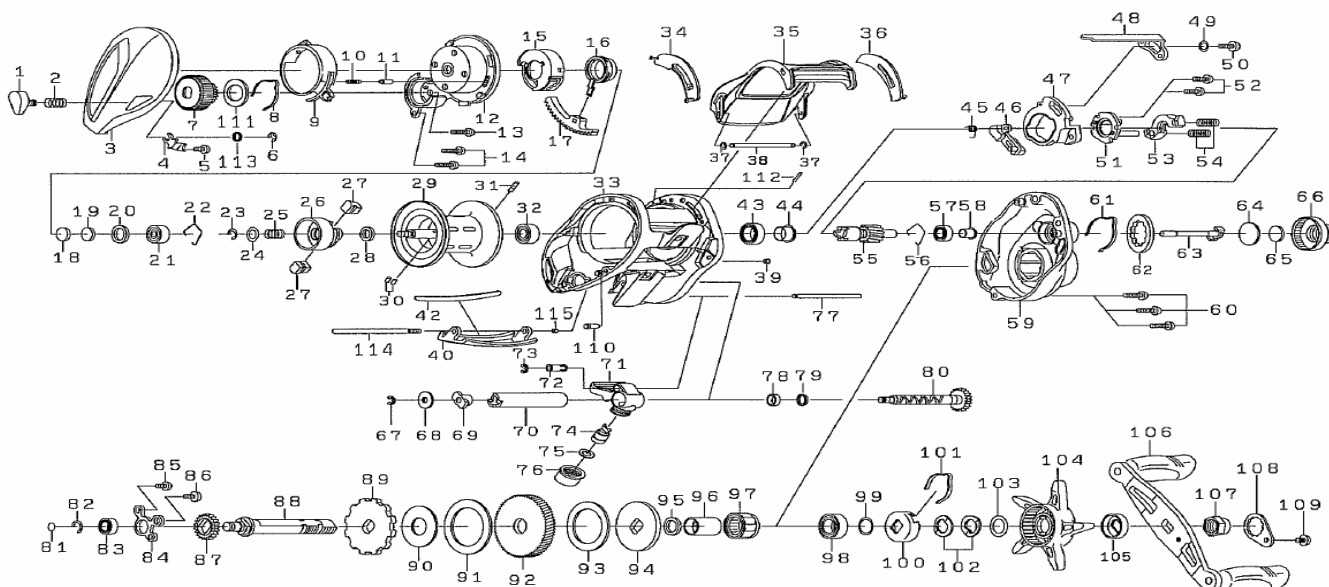


Please order by parts number, not key number
 Veuillez indiquer le numéro de la pièce (Non "Key" No.)



BAITCASTING REEL

T3-1016H/T3-1016SH



Key No. Parts No. Parts Name

1	H66-8101	Push button As
2	H66-4001	Spring
3	H66-2601	Left side plate
4	H66-3901	Plate (A)
5	H58-5401	Screw (A)
6	B86-4101	Retainer (A)
7	H66-3301	Brake adjusting knob (A)
8	H66-3401	Brake click spring
9	H66-3201	Brake adjusting knob (B)
10	H77-5901	Brake adjusting knob spring
11	H28-5601	Brake adjusting knob pawl
12	H66-3101	Left set plate (A)
13	H46-3401	Set plate screw (A)
14	H66-6001	Set plate screw (B)
15	H28-4501	Left set plate (B)
16	H66-3601	Magnet holder
17	H66-3501	Magnet holder gear
18	375-7400	Spacer (A)
19	375-7411	Spacer (B)
20	G18-5101	Spacer (C)
21	G51-1507	Ball bearing (A)
22	H78-6801	Bearing retainer (A)
23-32	Z02-0476	Spool assembly
33	H65-8701	Frame
34	H65-9301	Spacer (D)
35	H65-9401	Twing
36	H65-9201	Spacer (E)
37	H70-4101	Retainer (B)
38	H65-9801	Stabilizer bar (A)
39	H65-8801	Collar
40	H66-2401	Front plate
42	H66-2501	Front name plate
43	G43-1006	Ball bearing (B)
44	H26-6601	Ball bearing collar (A)
45	H65-9001	Clutch cam spring
46	H58-0701	Clutch trip lever
47	H68-7301	Clutch cam
48	H66-6201	Clutch cam plate (A)
49	H15-9201	Washer (A)
50	G19-3701	Screw (B)
51	H65-9101	Clutch cam plate (B)
52	H58-1001	Clutch cam screw
53	H68-7401	Yoke
54	H58-2001	Yoke spring
55	H66-1201	Pinion gear
56	E21-9701	Bearing retainer (B)
57	G46-6204	Ball bearing (C)
58	H15-9501	Ball bearing collar (B)
59	H66-6501	Right side plate
60	H66-2201	Right side plate screw
61	F26-2701	Click leaf spring (A)
62	F62-5502	Washer (B)
63	H15-9601	Pinion shaft
64	H44-9401	Spacer (F)
65	B17-5503	Spacer (G)
66	H71-4301	Cast control cap
67	320-5901	Worm shaft retainer

Key No. Parts No. Parts Name

68	373-1306	Worm shaft washer
69	F79-5801	Worm shaft spacer (A)
70	H66-0301	Level wind guard
71	H66-0201	T-Level wind
72	H16-8701	Line guide collar
73	B86-4101	Line guide retainer
74	H66-0801	Line guide pawl
75	373-1300	Washer (C)
76	F40-2801	Line guide nut
77	H66-0401	Stabilizer bar (B)
78	F64-8301	Worm shaft bearing
79	E09-6504	Worm shaft spacer (B)
80	H66-0501	Worm shaft
81	G09-9800	Washer (D)
82	320-8002	Retainer (C)
83	G53-8004	Ball bearing (D)
84	H66-0101	Plate (B)
85	G17-1402	Screw (C)
86	G19-3701	Screw (D)
87	H66-0001	Drive shaft gear
88	H65-9901	Drive shaft
89	H66-0901	Clutch wheel
90	H66-1101	Drive shaft washer (A)
91	H66-1001	Drive shaft washer (B)
92	H66-1301	Drive gear
93	H35-9001	Drag washer
94	H66-1401	Key washer
95	B55-3803	Washer (E)
96	H58-4401	Gear shaft collar
97	G81-9801	Roller clutch
98	G52-3401	Ball bearing (E)
99	373-7813	Washer (F)
100	F02-8203	Click leaf spring holder
101	F03-2401	Click leaf spring (B)
102	150-8901	Drag spring washer
103	G69-4201	Washer (G)
104	H66-1501	Star drag
105	H66-1701	Handle collar
106	H66-1801	Handle assembly
107	G79-3309	Handle screw (A)
108	040-3201	Handle screw plate
109	353-8301	Handle screw (B)
110	H79-1001	Pin (A)
111	G46-8003	Washer (H)
112	H75-3001	Pin (B)
113	F03-7402	Washer (J)
114	H76-2401	Stabilizer bar (C)
115	H76-2301	Nut

■T31016SH

Key No. Parts No. Parts Name

55	H66-4501	Pinion gear
59	H66-6502	Right side plate
66	H71-4302	Cast control cap
92	H66-4601	Drive gear
108	040-3206	Handle screw plate