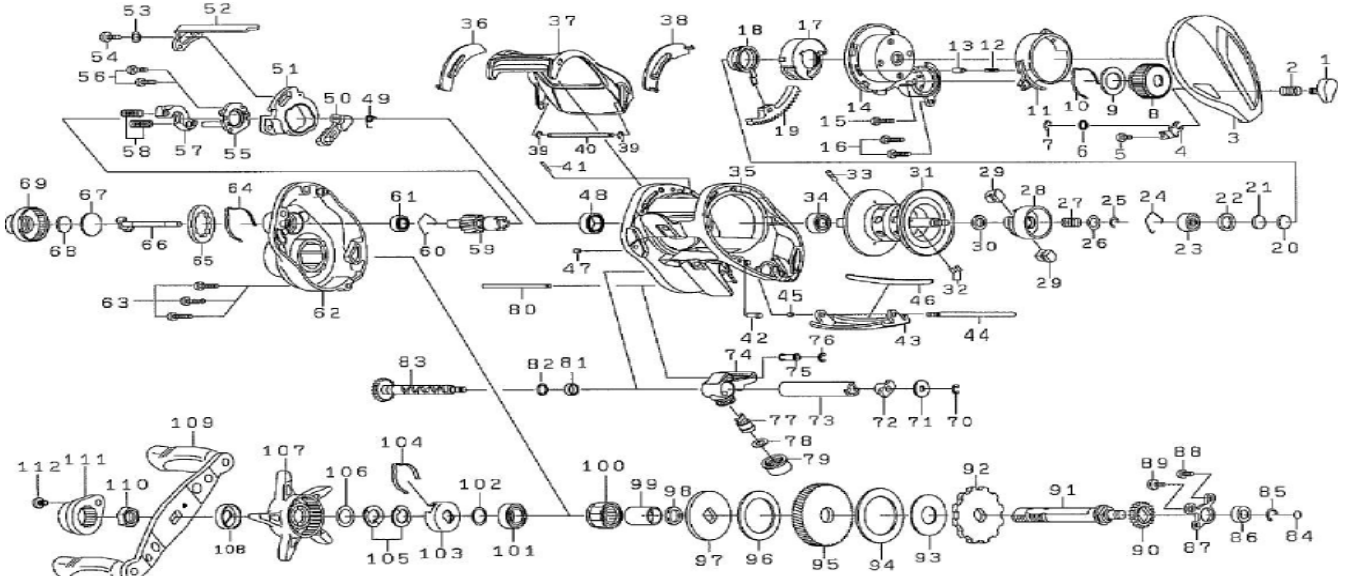


Please order by parts number, not key number
 Veuillez indiquer le numéro de la pièce (Non "Key" No.)



BAITCASTING REEL T3 BALLISTIC 100HL/T3 BALLISTIC 100HSL



Key No.	Parts No.	Parts Name
1	H67-1502	Push button As
2	H66-4001	Spring
3	H67-1002	Right side plate
4	H67-1701	Plate (A)
5	H58-5401	Screw (A)
6	F03-7402	Washer (A)
7	B86-4101	Retainer (A)
8	H66-3303	Brake adjusting knob (A)
9	G46-8003	Washer (B)
10	H66-3401	Brake click spring
11	H67-1401	Brake adjusting knob (B)
12	H77-5901	Brake adjusting knob spring
13	H28-5601	Brake adjusting knob pawl
14	H67-1301	Right (A)
15	H46-3401	Set plate screw (A)
16	H66-6001	Set plate screw (B)
17	H69-4301	Right set plate (B)
18	H72-3801	Magnet holder
19	H66-3501	Magnet holder gear
20	375-7400	Spacer (A)
21	375-7411	Spacer (B)
22	G18-5101	Spacer (C)
23	G51-1503	Ball bearing (A)
24	H78-6801	Bearing retainer (A)
25-34	Z02-0639	Spool assembly
35	H67-0402	Frame
36	H65-9201	Spacer (D)
37	H65-9402	Twing
38	H65-9201	Spacer (E)
39	H70-4101	Retainer (B)
40	H65-9802	Stabilizer bar (A)
41	H75-3001	Pin (A)
42	H79-1001	Pin (B)
43	H67-1802	Front plate
44	H76-2401	Stabilizer bar (B)
45	H76-2301	Nut
46	H66-2501	Front name plate
47	H65-8801	Collar
48	G43-1004	Ball bearing (B)
49	H67-0501	Clutch cam spring
50	H60-2301	Clutch trip lever
51	H68-8201	Clutch cam
52	H67-0601	Clutch cam plate (A)
53	H15-9201	Washer (B)
54	G19-3701	Screw (B)
55	H65-9101	Clutch cam plate (B)
56	H58-1001	Clutch cam screw
57	H68-8301	Yoke
58	H79-8701	Yoke spring
59	H72-5901	Pinion gear
60	E21-9701	Bearing retainer (B)
61	G46-6202	Ball bearing (C)
62	H67-0105	Left side plate
63	H66-2201	Left side plate screw
64	F26-2701	Click leaf spring (A)

Key No.	Parts No.	Parts Name
65	F62-5502	Washer (C)
66	H15-9601	Pinion shaft
67	H44-9401	Spacer (F)
68	B17-5503	Spacer (G)
69	H65-8302	Cast control cap
70	320-5901	Worm shaft retainer
71	373-1306	Worm shaft washer
72	F79-5801	Worm shaft spacer (A)
73	H68-8701	Level wind guard
74	H66-0202	T-Level wind
75	H16-8701	Line guide collar
76	B86-4101	Line guide retainer
77	H66-0801	Line guide pawl
78	373-1300	Washer (D)
79	F40-2801	Line guide nut
80	H66-0401	Stabilizer bar (B)
81	F64-8301	Worm shaft bearing
82	E09-6504	Worm shaft spacer (B)
83	H72-2701	Worm shaft
84	G09-9800	Washer (E)
85	320-8002	Retainer (C)
86	G05-1701	Ball bearing (D)
87	H66-0101	Plate (B)
88	G17-1402	Screw (C)
89	G19-3701	Screw (D)
90	H66-0001	Drive shaft gear
91	H65-9904	Drive shaft
92	H66-0901	Clutch wheel
93	H66-1101	Drive shaft washer (A)
94	H66-1001	Drive shaft washer (B)
95	H72-6001	Drive gear
96	H35-9002	Drag washer
97	H66-1401	Key washer
98	B55-3803	Washer (F)
99	H58-4401	Gear shaft collar
100	F99-9803	Roller clutch
101	G52-3401	Ball bearing (E)
102	373-7813	Washer (G)
103	F02-8203	Click leaf spring holder
104	F03-2401	Click leaf spring (B)
105	150-8901	Drag spring washer
106	G69-4201	Washer (H)
107	H75-0202	Star drag
108	H66-1701	Handle collar
109	H72-1901	Handle assembly
110	H72-3702	Handle screw (A)
111	H72-2002	Handle screw cap
112	G04-0803	Handle screw (B)

■T3 BALLISTIC 100HSL

Key No.	Parts No.	Parts Name
25-34	Z02-0645	Spool assembly
59	H72-6101	Pinion gear
62	H67-0106	Left side plate
95	H72-6201	Drive gear