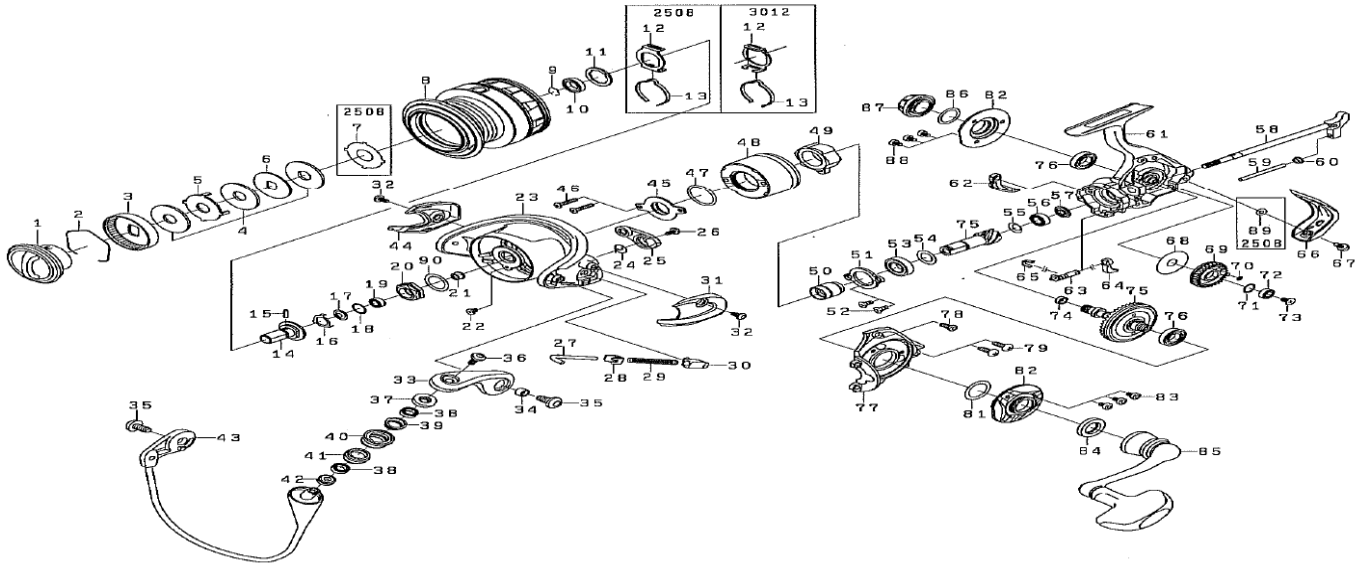




Please order by parts number, not key number
 Veuillez indiquer le numéro de la pièce (Non "Key" No.)

SPINNING REEL **STEEZ EX 2508H-3012H**



KEY NO.

Parts Name

- 1 DRAG KNOB
- 2 DRAG WASHER RETAINER
- 3 DRAG KNOB CLICK PLATE
- 4 DRAG WASHER
- 5 EARED WASHER
- 6 KEY WASHER
- 7 DRAG PLATE
- 2-8 SPOOL ASSEMBLY
- 9 BEARING RETAINER(A)
- 10 BALL BEARING(A)
- 11 WASHER(A)
- 12 CHECK LEAF SPRING HOLDER
- 13 SPOOL CLICK LEAF SPRING
- 14 SPOOL METAL
- 15 PIN
- 16 BEARING RETAINER(B)
- 17 PACKING(A)
- 18 WASHER(B)
- 19 BALL BEARING(B)
- 20 ROTOR NUT
- 21 COLLAR(A)
- 22 SCREW(A)
- 23 ROTOR
- 24 BAIL TRIP LEVER SPRING
- 25 BAIL TRIP LEVER
- 26 SCREW(B)
- 27 BAIL SPRING SHAFT
- 28 BAIL SPRING PLATE
- 29 BAIL SPRING
- 30 BAIL SPRING HOLDER
- 31 COVER(A)
- 32 SCREW(C)
- 33 BAIL ARM
- 34 COLLAR(B)
- 35 SCREW(D)
- 36 SCREW(E)
- 37 MAGNET ASSEMBLY(A)
- 38 BALL BEARING(C)
- 39 COLLAR(C)
- 40 LINE ROLLER
- 41 COLLAR(D)
- 42 MAGNET ASSEMBLY(B)
- 43 BAIL ASSEMBLY
- 44 COVER(B)
- 45 MAGNET ASSEMBLY(C)
- 46 SCREW(F)
- 47 "O"RING(A)
- 48 COVER(C)
- 49 ROLLER GLUTCH
- 50 SPACING SLEEVE
- 51 BEARING RETAINER(C)
- 52 SCREW(G)
- 53 BALL BEARING(D)
- 54 WASHER(C)
- 55 SPRING WASHER
- 56 BALL BEARING(E)
- 57 COLLAR(E)
- 58 MAIN SHAFT
- 59 STABILIZER BAR
- 60 COLLAR(F)
- 61 BODY
- 62 BAIL TRIP PLATE
- 63 ANTI-REVERSE CAM
- 64 ANTI-REVERSE LEVER
- 65 ANTI-REVERSE CAM SPRING
- 66 REAR COVER
- 67 SCREW(H)
- 68 WASHER(D)
- 69 OSCILLATING GEAR
- 70 "O"RING(B)
- 71 WASHER(E)
- 72 BALL BEARING(F)
- 73 SCREW(I)
- 74 RING
- 75 PINION GEAR + DRIVE GEAR
- 76 BALL BEARING(G)
- 77 SIDE COVER
- 78 SCREW(J)
- 79 SCREW(K)
- 80 WASHER(F)
- 81 BEARING RETAINER(D)
- 82 SCREW(L)
- 83 PACKING(B)
- 84 HANDLE ASSEMBLY
- 85 "O"RING(C)
- 86 HANDLE SCREW CAP
- 87 SCREW(M)
- 88 WASHER(G)
- 89 WASHER(H)
- 90

STEEZ EX2508H PARTS NO.

- H84-0801
- F71-0001
- F89-5301
- H80-6501
- F63-5201
- F63-5101
- H74-5701
- H84-0401
- G47-2401
- G81-8901
- H80-6300
- H41-6101
- H41-5901
- G37-5001
- G47-1501
- H41-5701
- G46-6103
- G46-6201
- H80-5801
- H85-4801
- H02-2701
- H74-1802
- H41-3601
- H41-1801
- H41-7701
- H74-2101
- H57-6101
- H64-4201
- H41-4301
- H74-2501
- H74-1702
- H73-2202
- H74-2301
- H65-6102
- H74-4201
- H73-7801
- G68-6901
- H74-3901
- H74-3801
- H74-3701
- H74-3401
- H74-2701
- H74-3301
- H74-0901
- H59-6502
- H74-1401
- H74-0601
- H41-2601
- H74-0501
- H73-9101
- G99-7301
- G27-9602
- H41-1400
- H81-4900
- G57-2500
- G46-7101
- H41-1201
- H77-8401
- H73-8701
- H73-8801
- H83-9801
- H73-7801
- H73-8201
- H41-0103
- H80-9201
- H74-1501
- H74-0301
- H60-7902
- H73-8301
- G68-3301
- H12-3700
- G46-9002
- G99-7001
- H45-5601
- Z02-0265
- H73-9703
- H74-0102
- H74-0201
- G99-7701
- G46-8000
- H83-9901
- H74-0301
- H86-6201
- H84-0301
- G39-9702
- H74-5101
- H74-0001
- F35-2702
- 371-2824

STEEZ EX3012H PARTS NO.

- H84-0801
- F71-0001
- F89-5301
- H80-6701
- F62-7301
- F62-7201
- H84-1401
- G47-2401
- G81-8901
- H80-6300
- H41-6101
- H71-9301
- G37-5001
- G47-1501
- H46-1201
- G46-6103
- G46-6201
- H80-5801
- H85-4901
- H02-2701
- H77-9702
- H41-3601
- H74-9801
- H41-7701
- H78-0001
- H57-6101
- H41-4201
- H41-4301
- H78-0101
- H74-1702
- H74-2202
- H74-2301
- H65-6102
- H74-4201
- H73-7801
- G68-6901
- H74-3901
- H74-3801
- H74-3701
- H74-3401
- H78-0201
- H78-0601
- H74-0901
- H59-6502
- H74-1401
- H74-0601
- H41-2601
- H74-0501
- H73-9101
- G99-7301
- G27-9602
- H41-1400
- G57-2500
- G46-7101
- H45-9401
- H77-8401
- H77-8701
- H77-8801
- H84-0901
- H73-8201
- H73-8201
- H41-0103
- H80-9201
- H74-9601
- H73-9301
- H54-5402
- H45-8902
- G86-9601
- G46-6103
- G46-6202
- G99-7001
- H45-9901
- Z02-0754
- H73-9703
- H77-9502
- H74-0201
- G99-7701
- G46-8000
- H84-1001
- H74-0301
- H86-6201
- H83-1101
- G39-9702
- H74-5101
- H74-0001
- 371-2824