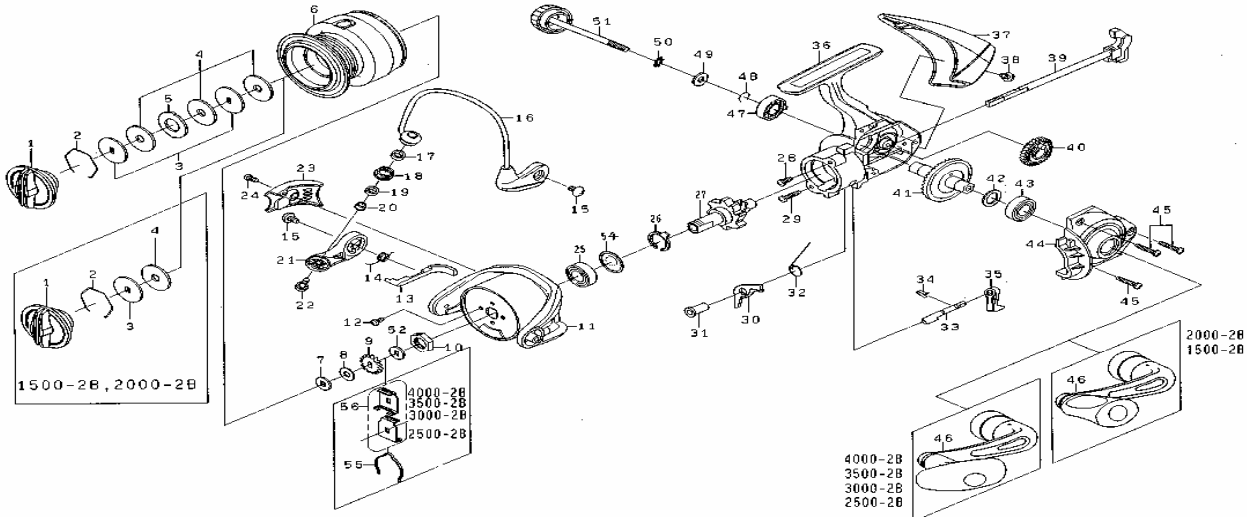


Please order by parts number, not key number
 Veuillez indiquer le numéro de la pièce (Non "Key" No.)



SPINNING REEL SWEEPFIRE 1500/2000/2500/3000/3500/4000-2B



Key No	Parts Name	1500-2B Parts No	2000-2B Parts No	2500-2B Parts No	3000-2B Parts No	3500-2B Parts No	4000-2B Parts No
1	Drag Knob	Q05-5701	Q05-5701	Q05-6201	Q05-6201	Q05-6201	Q05-6201
2	Drag Washer Retainer	F37-3301	F37-3301	F37-3301	F37-3301	F37-3301	F37-3301
3	Key Washer	E46-7201	E46-7201	E46-7201	E46-7201	E46-7201	E46-7201
4	Drag Washer	E13-6001	E13-6001	E13-6001	E13-6001	E13-6001	E13-6001
5	Eared Washer	-	-	373-3606	373-3606	373-3606	373-3606
2-6	Spool Assembly	Q05-5801	Q05-7001	Q05-6001	Q05-7901	Q05-6301	Q05-6501
7	Washer (A)	E46-7101	E46-7101	E46-7101	E46-7101	E46-7101	E46-7101
8	Washer (B)	E39-8000	E39-8000	E39-8000	E39-8000	E39-8000	E39-8000
9	Click Gear	G83-9301	G83-9301	-	-	-	-
10	Rotor Nut	G12-3301	G12-3301	G12-3301	G12-3301	G12-3301	G12-3301
11	Rotor	G86-1142	G86-1142	G84-1948	G84-1948	G84-4140	G84-4140
12	Screw (A)	G62-7701	G62-7701	G62-7701	G62-7701	G62-7701	G62-7701
13	Bail Trip Lever	G86-1201	G86-1201	G84-2001	G84-2001	G84-4201	G84-4201
14	Bail spring	F77-7901	F77-7901	F80-0701	F80-0701	F80-0701	F80-0701
15	Screw (B)	G20-5001	G20-5001	G20-5001	G20-5001	G20-5001	G20-5001
16	Bail Assembly	G89-0201	G89-0201	G89-2201	G89-2201	G90-6701	G90-6701
17	Collar (A)	G87-4201	G87-4201	G87-4201	G87-4201	G87-4201	G87-4201
18	Line Roller	F62-5002	F62-5002	F62-5002	F62-5002	F62-5002	F62-5002
19	Collar (B)	G87-4301	G87-4301	G87-4301	G87-4301	G87-4301	G87-4301
20	Collar (C)	G15-2502	G15-2502	G15-2502	G15-2502	G15-2502	G15-2502
21	Bail Arm	G83-8801	G83-8801	G83-8801	G83-8801	G83-8801	G83-8801
22	Screw (C)	G19-5602	G19-5602	G19-5602	G19-5602	G19-5602	G19-5602
23	Cover (A)	G86-1302	G86-1302	G84-2102	G84-2102	G84-4302	G84-4302
24	Screw (D)	G27-0801	G27-0801	G27-0801	G27-0801	G27-0801	G27-0801
25	Ball Bearing (A)	G83-6901	G83-6901	G83-6901	G83-6901	G83-6901	G83-6901
26	Anti-Reverse Pawl Spring(A)	G97-2601	G97-2601	G97-2601	G97-2601	G97-2601	G97-2601
27	Pinion Gear	G98-0803	G98-0803	G98-0801	G98-0801	G98-6401	G98-6401
28	Screw (E)	G41-0601	G41-0601	G41-0601	G41-0601	G41-0601	G41-0601
29	Screw (F)	G98-0501	G98-0501	G98-0501	G98-0501	G98-0501	G98-0501
30	Anti-Reverse Pawl	G98-1201	G98-1201	G98-1201	G98-1201	G98-1201	G98-1201
31	Anti-Reverse Pawl Collar	G98-1001	G98-1001	G98-1001	G98-1001	G98-1001	G98-1001
32	Anti-Reverse Pawl Spring(B)	G98-1101	G98-1101	G98-1101	G98-1101	G98-1101	G98-1101
33	Anti-Reverse Cam	G98-0701	G98-0701	G98-0701	G98-0701	G98-0701	G98-0701
34	Anti-Reverse Cam Spring	G83-6401	G83-6401	G83-6401	G83-6401	G83-6401	G83-6401
35	Anti-Reverse Lever	G92-7001	G92-7001	G92-7001	G92-7001	G92-7001	G92-7001
36	Body	G98-4118	G98-4118	G97-5821	G97-5821	G98-6218	G98-6218
37	Rear Cover	G98-5001	G98-5001	G97-7801	G97-7801	G98-6601	G98-6601
38	Screw (G)	G27-0801	G27-0801	G27-0801	G27-0801	G27-0801	G27-0801
39	Main Shaft	G86-0603	G86-0603	G84-1403	G84-1403	Q05-7801	Q05-7801
40	Oscillating Gear	G98-5101	G98-5101	G84-1301	G84-1301	G98-6301	G98-6301
41	Driver Gear	G90-8602	G90-8602	G90-8602	G90-8602	G92-4302	G92-4302
42	Washer (C)	373-7800	373-7800	373-7800	373-7800	373-7800	373-7800
43	Ball Bearing (B)	G83-6901	G83-6901	G83-6901	G83-6901	G83-6901	G83-6901
44	Side Cover	G98-4913	G98-4913	G97-5915	G97-5915	G98-6513	G98-6513
45	Screw (H)	G11-5001	G11-5001	G11-5001	G11-5001	G11-5001	G11-5001
46	Handle Assembly	Q05-6801	Q05-6801	Q05-6901	Q05-6901	Q05-8801	Q05-8801
47	Bearing	G88-9301	G88-9301	G88-9301	G88-9301	G88-9301	G88-9301
48	Bearing Retainer	G52-5101	G52-5101	G52-5101	G52-5101	G52-5101	G52-5101
49	Washer (D)	G86-3901	G86-3901	G86-3901	G86-3901	G86-3901	G86-3901
50	Washer (E)	160-8101	160-8101	160-8101	160-8101	160-8101	160-8101
51	Handle Screw	Q02-0101	Q02-0101	Q02-0101	Q02-0101	Q02-0201	Q02-0201
52	Washer (F)	H11-8501	H11-8501	E24-6101	E24-6101	E24-6101	E24-6101
53	Washer (G)	H30-7901	H30-7901	H30-7901	H30-7901	H30-7901	H30-7901
54	Washer (H)	H29-5201	H29-5201	H29-5201	H29-5201	H29-5201	H29-5201
55	Leaf Spring	-	-	H57-0801	H57-0801	F70-9002	F70-9002
56	Cap	-	-	G70-0001	G70-0001	G74-3901	G74-3901