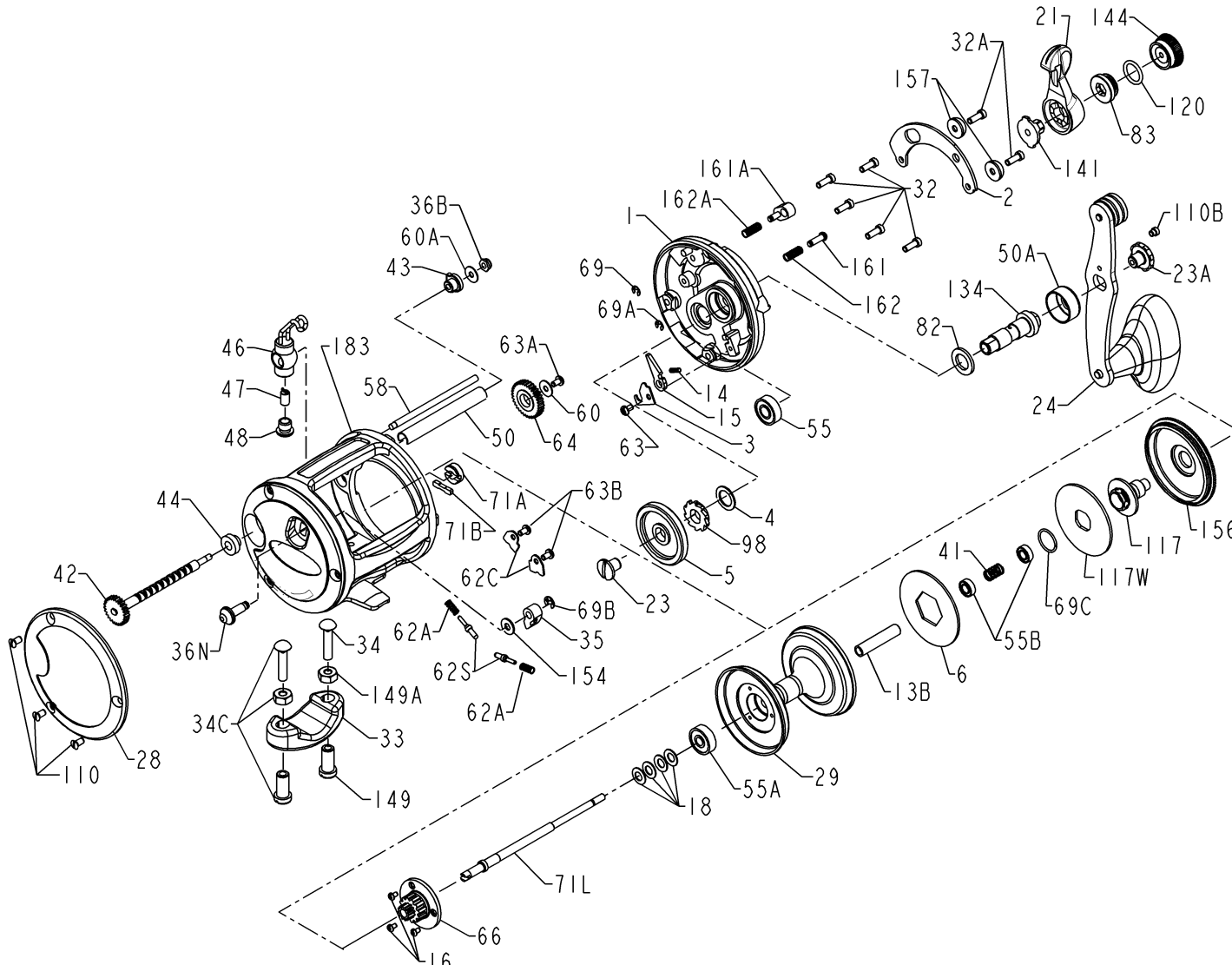




**PARTS LIST FOR MODEL 320LD**



<u>KEY NO.</u>	<u>PART NO.</u>	<u>DESCRIPTION</u>
16	016 975LD	Spool Gear Screw (3 req.)
18	018 975LD	Clutch Disc Spring (4 req.)
21	021 320LD	Drag Cam Lever
23	023 006CH	Gear Mounting Screw
23A	023 114	Handle Screw
24	024S225	Handle Assembly
28	028 320GT2	Left Side Ring
29	029L320LD	Spool
32	039 004CH	R.S. Plate Screw (5 req.)
32A	039 004CH	Spacer Quadrant Screw (2 req.)
33	033 113	Rod Clamp
*	*033R200	*Ringed Rod Clamp (Optional)
34	034 045	Clamp Screw Only (2 req.)
34C	034C045	Clamp Screw Kit
35	035 310N	Click Tongue
36N	036N320LD	Click Button
36B	036 700	Worm Shaft Nut
41	041 225	Bearing Spring
42	042 320N	Worm
43	043 330	Right Side Worm Bushing
44	044 330	Left Side Worm Bushing
46	046 320N	Line Guide Carriage
47	047 975	Pawl
48	048 330N	Pawl Cover Screw
50	050N320	Worm Shield
50A	050 025	Cover Gear Stud
55	055 006	R.S. Plate Ball Bearing
55A	055 320LD	L.S. Spool Bearing
55B	055 965	Spool Bearing (2 req.)
58	058 320	Line Guide Post
60	060 320	Idler Gear Washer
60A	060 320	Worm Bearing Washer
62A	062A310	Click Spring (2 req.)
62C	062C321LH	Click Spring Cover (2 req.)
62S	062S310	Click Pin (2 req.)
63	063 500S	Dog Bridge Screw
63A	063 500S	Idler Gear Screw
63B	063 500S	Click Spring Screw (2 req.)
64	064 320	Idler Gear
66	066 320LD	Spool Gear
69	069B050	Strike Button Retaining Ring
69A	069B050	Free Spool Button Retaining Ring
69B	069B600	Click Tongue Retaining Ring
69C	069C320LD	Retaining Ring
71A	071A320LD	Bushing
71B	071B320LD	Key
71L	071L320LD	Spindle Spool
82	082 025	Handle Shim
83	083 225	Preset Collar
98	098 330LD	Main Gear Ratchet
110	110 050	L.S. Ring Screw (3 req.)
110B	110 060	Handle Lock Screw
117	117 320LD	Pinion Drive Plate
117W	117W320LD	Drive Plate Washer
120	120 113H	O-Ring
134	134 025	Gear Stud
141	141 225	Cam Follower
144	144 320LD	Preset Knob
149	149 045	Clamp Nut Only (2 req.)
149A	149 200	Hex Nut Only (2 req.)
154	154 117	Shim
156	156 320LD	Drag Cover
157	157 320LD	Quadrant Spacer (2 req.)
161	161 320LD	Free Spool Button
161A	161 040	Strike Button
162	162 050	Free Spool Button Spring
162A	162 050	Strike Button Spring
183	183 320LD	Frame

<u>KEY NO.</u>	<u>PART NO.</u>	<u>DESCRIPTION</u>
1	001 320LD	Right Side Plate
2	002 320LD	Quadrant Ring
3	003 320LD	Dog Bridge
4	004 025	Gear Stud Washer
5	005 320LD	Main Gear
6	006 320LD	Drag Washer HT-100
13B	013B320LD	Spool Sleeve
14	014 99	Dog Spring
15	015N025	Dog

\* Not Shown