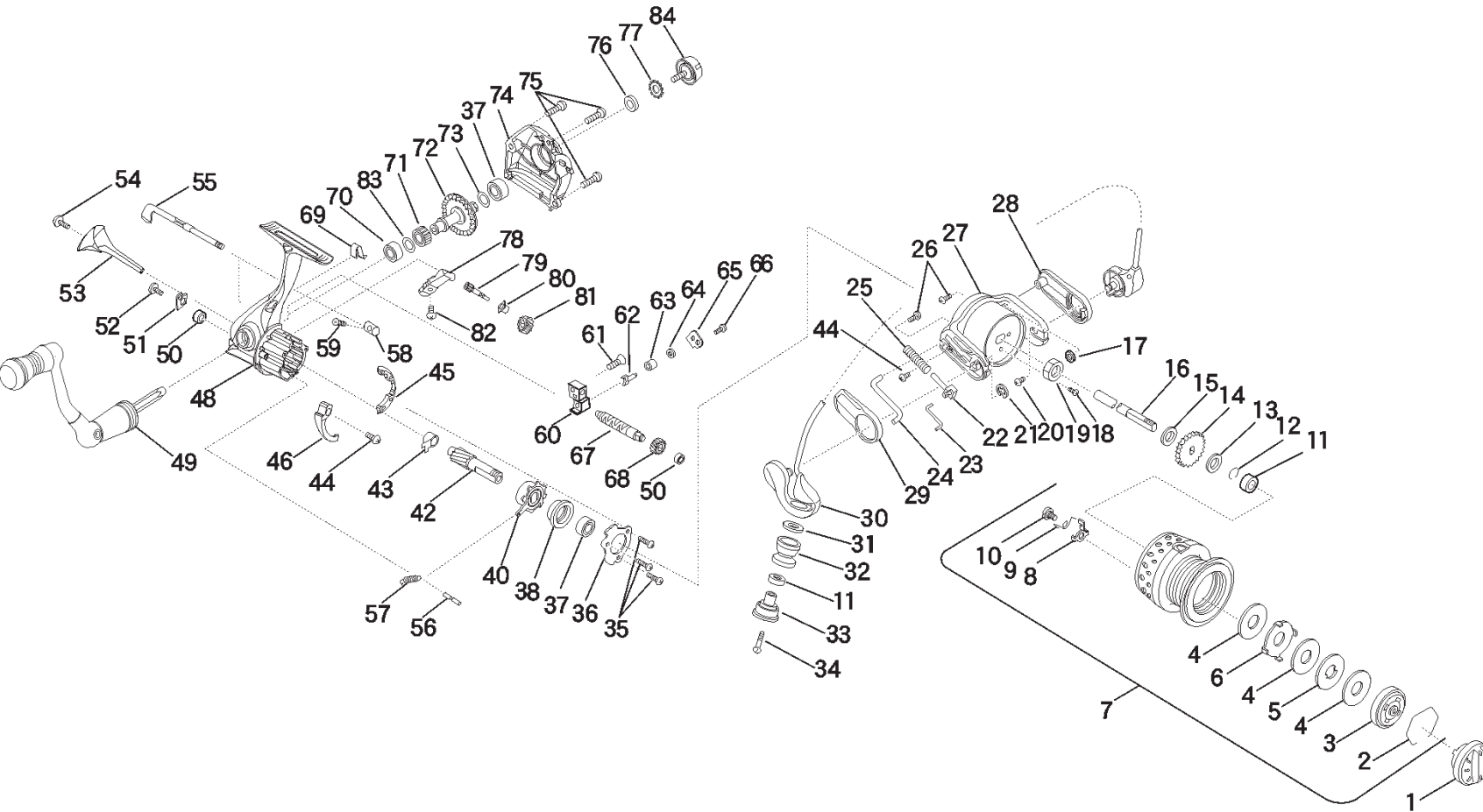




**PARTS LIST FOR MODEL AF 3000**



KEY NO.	PART NO.	DESCRIPTION
1	052 1000AF	Drag Knob Assembly
2	051 1000AF	Drag Retaining Ring
3	051A3000AF	Click Plate Assembly
4	056 3000AF	Drag Washer (Friction) (3 req.)
5	057 3000AF	Metal Keyed Washer
6	058 3000AF	Metal Eared Washer
7	047 3000AF	Spool Assembly - Complete
8	048 1000AF	Click Tongue
9	049 1000AF	Click Tongue Spring
10	022 1000AF	Spool Click Screw

KEY NO.	PART NO.	DESCRIPTION
11	047B1000AF	Ball Bearing (2 req.)
12	047A1000AF	Bearing Retainer Ring
13	060 1000AF	Thrust Washer (2 Assorted Washers Included)
14	040B1000AF	Click Ratchet
15	060A1000AF	Spool Washer
16	039 3000AF	Spool Shaft
17	031B3000AF	Bail Cam Washer
18	038A1000AF	Rotor Nut Screw
19	038 1000AF	Rotor Nut
20	031A1000AF	Bail Cam Screw

KEY NO.	PART NO.	DESCRIPTION
21	031 1000AF	Bail Arm Retaining Ring
22	034B1000AF	Pivot Guide
23	034C1000AF	Trip Lever Link
24	028 3000AF	Trip Lever
25	032 3000AF	Bail Trip Spring
26	050 1000AF	Bail Spring Cover Screw (2 req.)
27	027 3000AF	Rotor
28	227 3000AF	Bail Cam Cover
29	027A3000AF	Bail Trip Cover
30	024 3000AF	Bail Arm Assembly
31	132 1000AF	Roller Washer
32	035 1000AF	Line Roller
33	026 1000AF	Line Roller Stud
34	036 1000AF	Roller Mounting Screw
35	046 1000AF	Clutch Retainer Screw (3 req.)
36	098 1000AF	Clutch Retainer
37	020 1000AF	Ball Bearing (2 req.)
38	020A1000AF	Ball Bearing Collar
40	098B1000AF	Clutch Bearing and Sleeve
42	019 3000AF	Pinion
43	019A3000AF	Pinion Guide Bushing
44	028E1000AF	Trip Cam Screw (2 req.)
45	028D3000AF	Friction Ring
46	028C3000AF	Trip Cam
48	001 3000AF	Housing Assembly
49	015 1000AF	Handle Assembly
50	043H1000AF	Ball Bearing (2 req.)
51	043J1000AF	Bearing Retainer
52	043K1000AF	Bearing Retainer Screw
53	226 3000AF	Rear Cap
54	226A1000AF	Rear Cap Screw
55	006E3000AF	Anti-Reverse Shaft
56	098C1000AF	Spring Anchor Pin
57	098D1000AF	One-Way Clutch Spring
58	006G1000AF	Anti-Reverse Cam
59	006F1000AF	Anti-Reverse Cam Screw
60	043 3000AF	Crosswind Block
61	043A1000AF	Crosswind Block Screw
62	043B1000AF	Crosswind Pawl
63	043C1000AF	Pawl Cover
64	043D1000AF	Pawl Washer
65	043E3000AF	Crosswind Block Plate
66	043F1000AF	Plate Screw
67	043G3000AF	Worm Shaft
68	231 1000AF	Worm Shaft Gear
69	006D3000AF	Anti-Reverse Shaft Spring
70	020 2000AF	Ball Bearing
71	008B1000AF	Drive Gear
72	008 3000AF	Main Gear
73	008A1000AF	Thrust Washer
74	045 3000AF	Housing Cover
75	044 1000AF	Cover Screws (3 req.)
76	233B1000AF	Handle Thrust Washer
77	233A1000AF	Handle Lock Washer
78	081A1000AF	Idler Gear Shaft Support
79	081B3000AF	Idler Gear Shaft
80	081C1000AF	Idler Gear Shift Bushing
81	081 1000AF	Idler Gear
82	081D1000AF	Support Mounting Screw
83	008C1000AF	Thrust Washer
84	233 1000AF	Bearing Cover Assembly