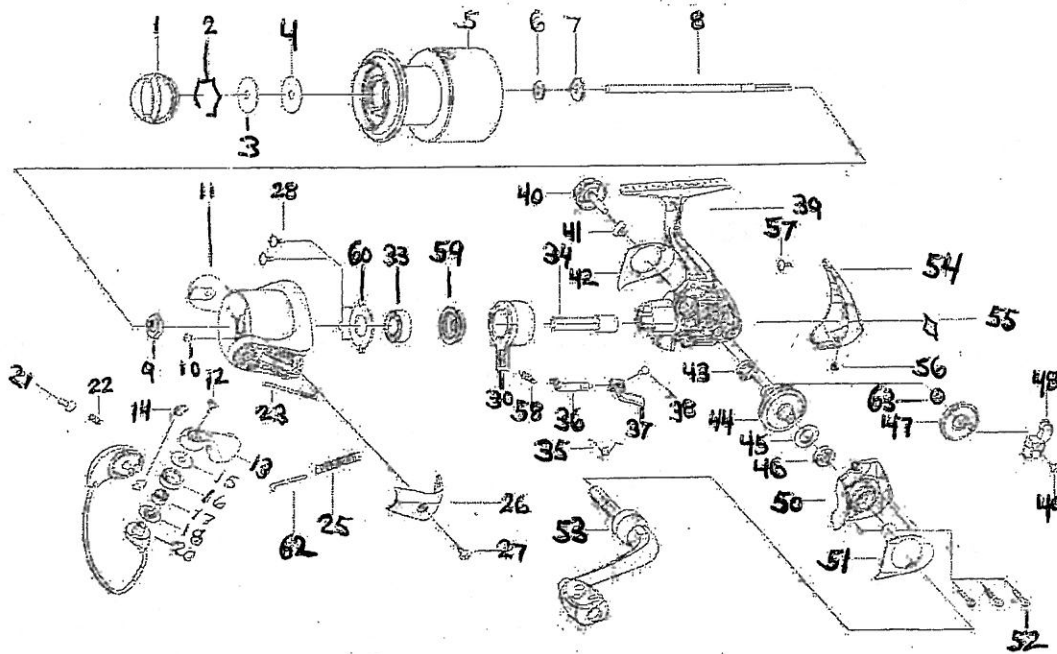


STAMINA STM 500



PARTS LIST OF STM500

ITEM#	DESCRIPTION	STM500	ITEM#	DESCRIPTION	STM500	ITEM#	DESCRIPTION	STM500
1	drag knob	1134551	22	spring	1085539	47	oscilation gear	1085612
2	retainer ring	1092606	23	bail lever	1091087	48	slider	1085613
3	washer	1092607	25	spring	1085541	49	screw	1085456
4	washer	1092709	26	rotor cover	1134532	50	body cap	1134559
5	Spool Assembly	1134552	27	screw	1137673	51	body cap decoration plate	1134538
5	Poly Spool Assy	1134553	28	screw	1137674	52	screw	1085599
6	washer	1085270	30	one way ball bearing	1085543	53	handle assembly	1134539
7	click gear	1085271	33	ball bearing	1085544	54	rear cover	1134540
8	main shaft	1085605	34	pinion gear	1098650	55	logo plate	1085602
9	rotor nut	1085606	35	spring	1085546	56	screw	1137675
10	screw	1085900	36	anti-reverse pin	1098577	57	screw	1137676
11	rotor	1134554	37	anti-reverse lever	1134557	58	spring	1080731
12	screw	1085608	38	screw	1092777	59	bearing retainer	1098659
13	bail arm	1134555	39	body	1134558	60	one way retainer ring	1137677
14	ring	1085323	40	handle screw cap	1134535	62	bail lever	1085540
15	bushing	1137672	41	washer	1092781	63	bushing	1102087
16	line roller	1085364	42	body decoration plate	1134536			
17	ball bearing	1085365	43	ball bearing	1085552			
18	bushing	1085536	44	drive gear	1085550			
20	BAIL ASSY	1134556	45	bushing	1085551			
21	click pin	1085538	46	ball bearing	1085552			