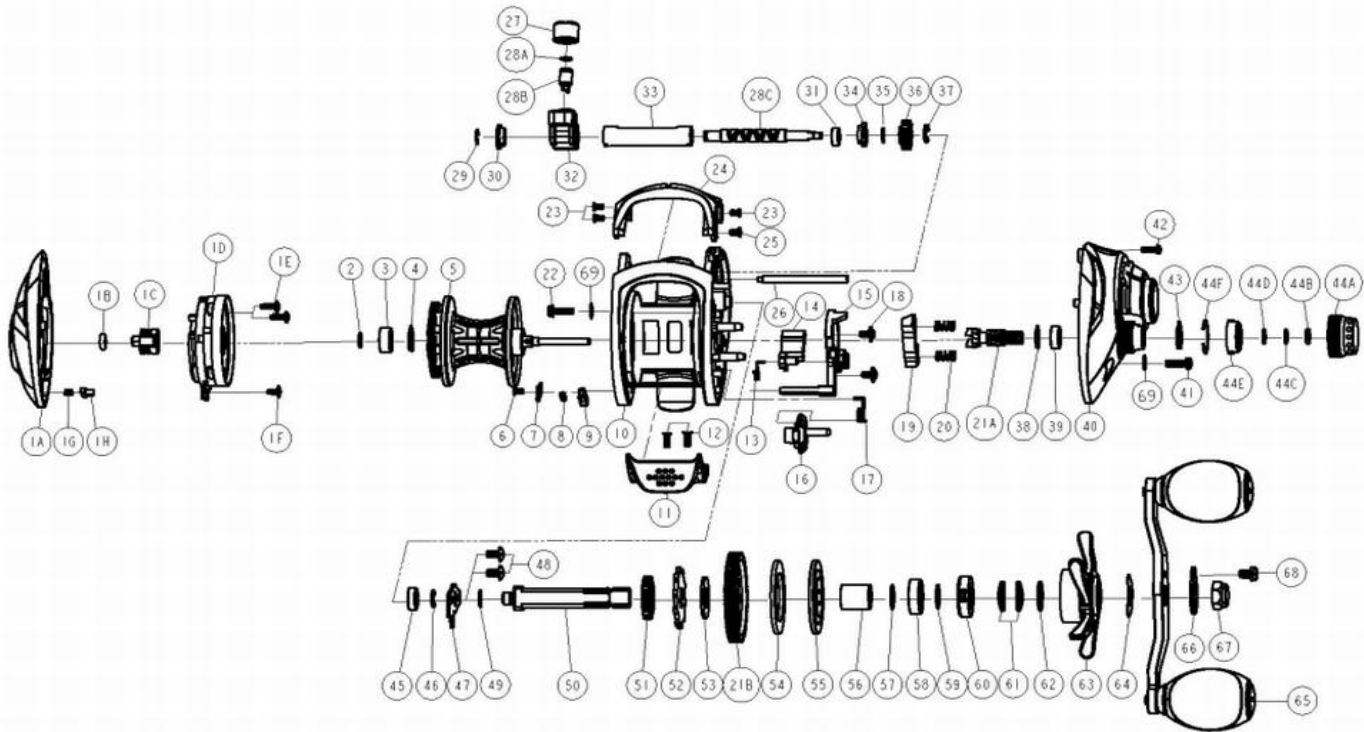


QUANTUM

Tour Mg T100SPTMg



Quantum Energy T100SPTMg Baitcast Reel Part List

Key #	Description	Qty.	Part No.	Key #	Description	Qty.	Part No.
1	Palm Side Cover Kit	1	PA4023-02	32	Line Guide Carrier Assembly	1	EB347-04
1A	Palm Side Cover Assembly	1	PA323-02	33	Worm Shaft Guide	1	PA016-02
1B	Control Dial Friction Ring	1	NX105-01	34	Worm Shaft Bushing	1	RA067-01
1C	Slide Cam "B"	1	NX028-01	35	Worm Shaft Washer(Gear Side)	1	PA035-01
1D	Spool Cover Assembly	1	PA351-02	36	Worm Shaft Pinion Gear	1	PA085-01
1E	Spool Cover Screw "A"	2	PA076-01	37	Worm Shaft E-Clip	1	NX090-01
1F	Spool Cover Screw "B"	1	EB125-01	38	Spool Tension Knob Bearing Retainer	1	EB080-01
1G	Side Cover Locking Pin Spring	1	KW070-01	39	Spool Tension Knob Ball Bearing	1	SW017-01
1H	Side Cover Locking Pin	1	KW103-01	40	Gear Side Cover Assembly	1	LA324-02
2	Spool Shaft Washer(Palm Side)	1	QW032-04	41	Gear Side Cover Screw "A"	1	KW123-02
3	Spool Shaft Ball Bearing(Palm Side)	1	QV017-01	42	Gear Side Cover Screw "B"	1	PA123-01
4	Bearing Retainer Ring	1	HV080-01	43	Spool Tension Knob Click Spring	1	PA114-01
5	Spool Assembly	1	LA321-01	44	Spool Tension Knob Kit	1	PA4033-05
6	Locking Lever Retainer Screw	1	KW107-01	44A	Spool Tension Knob	1	PA033-03
7	Locking Lever Retainer	1	KW056-01	44B	Spool Cushion Washer	1	EX082-01
8	Locking Lever Spring	1	KW096-01	44C	Spool Tension Knob Washer "B"	1	PW032-01
9	Locking Lever	1	KW119-02	44D	Spool Tension Knob Washer "A"	1	QW032-04
10	Frame	1	LA001-01	44E	Click Ratchet	1	PW113-01
11	Thumb Bar	1	PA009-04	44F	C-Ring	1	PW080-01
12	Thumb Bar Screw	2	EB107-01	45	Crank Shaft Ball Bearing	1	SW017-01
13	Kick Lever Spring	1	EB097-01	46	Crank Shaft E-Clip	1	QW120-01
14	Kick Lever	1	EB077-01	47	Crank Shaft Retainer Plate	1	KW002-02
15	Release Slider	1	EB039-01	48	Crank Shaft Retainer Plate Screw	2	QW125-02
16	Flipping Switch	1	EB087-05	49	Adjustment Washer	1	EB032-01
17	Release Slider Spring	1	MW104-01	50	Crank Shaft	1	PA008-02
18	Release Slider Screw	2	EB125-01	51	Worm Shaft Drive Gear	1	ZW112-01
19	Pinion Yoke	1	EB025-01	52	Trip Ratchet	1	PA083-02
20	Pinion Yoke Spring	2	KW040-01	53	Trip Ratchet Washer	1	PA111-01
21	Gear Kit	1	PA4011-02	54	Drag Washer	1	UX059-01
21A	Pinion Gear	1	QA011-01	55	Drag Key Washer	1	PA045-01
21B	Drive Gear	1	VX012-02	56	One Way Clutch Sleeve	1	PA052-01
22	Gear Side Cover Screw "A"	1	KW123-02	57	Bearing Washer	1	KW032-01
23	Front Support Screw "A"	3	KW107-01	58	Crank Shaft Ball Bearing (Handle Side)	1	TW058-02
24	Front Support	1	PA099-06	59	Star Drag Washer "A"	1	KW032-01
25	Front Support Screw "B"	1	PA107-01	60	Star Drag Clicker Spring Assembly	1	PA4114-01
26	Pillar	1	KW061-02	61	Star Drag Spring Washer	2	JX046-01
27	Line Guide Pawl Screw	1	KW007-01	62	Star Drag Washer "B"	1	PA032-01
28	Worm Shaft Kit	1	PA4072-02	63	Star Drag	1	PA055-04
28A	Line Guide Pawl Washer	1	BV035-01	64	Handle Spring Washer	1	QW054-01
28B	Line Guide Pawl	1	KW006-01	65	Handle Assembly	1	LA318-01
28C	Worm Shaft	1	PA072-02	66	Handle Nut	1	KW003-04
29	Worm Shaft E-Clip	1	NX092-01	67	Handle Nut Retainer	1	KW034-06
30	Worm Shaft Bushing	1	PA067-01	68	Handle Nut Retainer Screw	1	QW123-02
31	Worm Shaft Ball Bearing	1	PA017-01	69	Washer	1	LA032-01