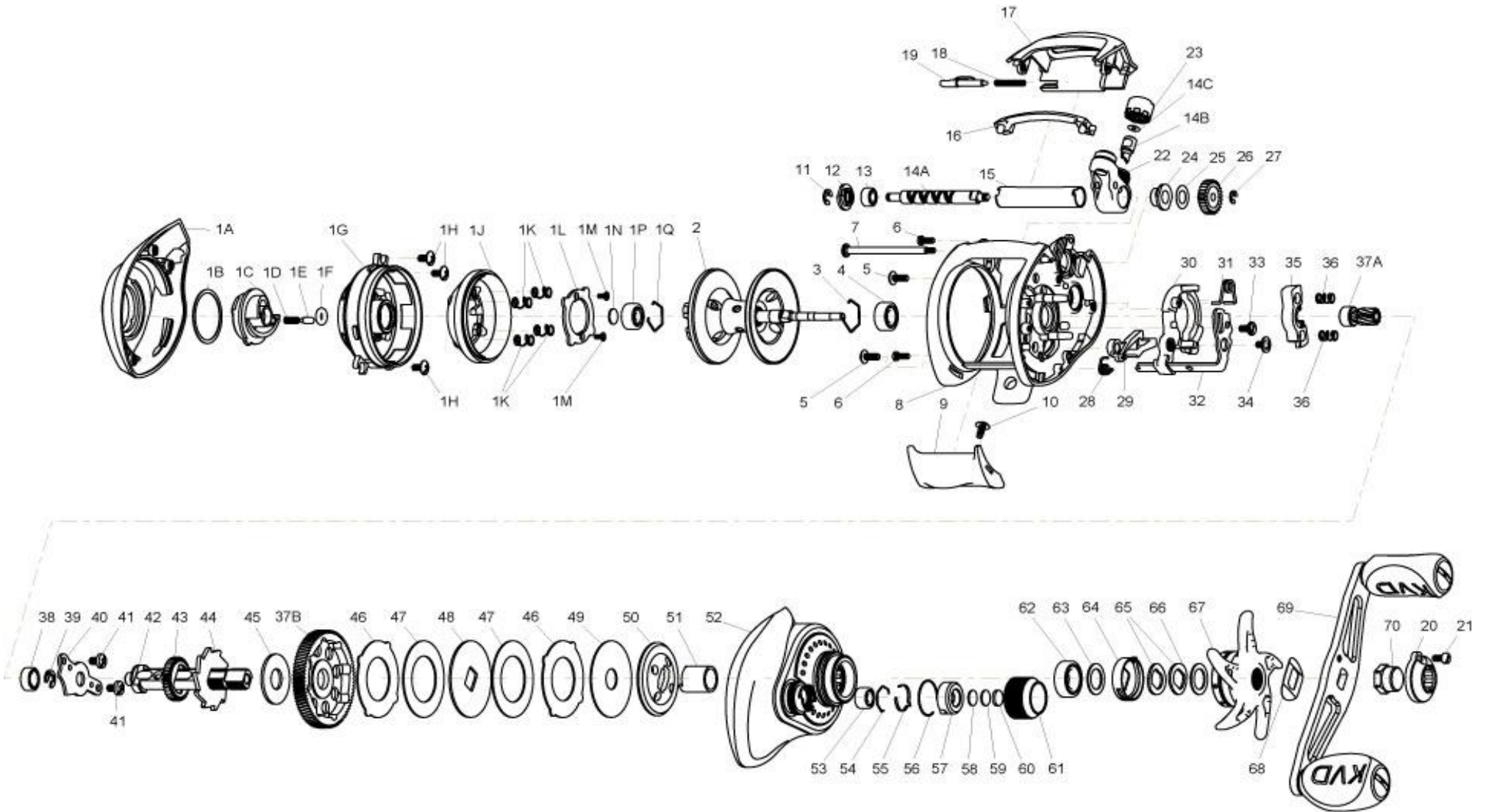


# QUANTUM<sup>®</sup>

## TKVDC150PPTA



# QUANTUM

## TKVDC150PPTA

### Quantum TKVDC150PPTA Baitcast Reel Part List

| Key # | Description                            | Part No.  | Qty. | Key # | Description                         | Part No.  | Qty. |
|-------|--|-----------|------|-------|-------------------------------------|-----------|------|
| 1     | Palm Side Cover Kit include            | PW4023-11 | 1    | 28    | Kick Lever Spring                   | GX097-01  | 1    |
|       | 1A - Palm Side Cover Assembly          | PW323-11  | 1    | 29    | Kick Lever                          | PW077-01  | 1    |
|       | 1B - Centrifugal Dial Washer           | DW111-01  | 1    | 30    | Release Slider                      | PW039-01  | 1    |
|       | 1C - Centrifugal Dial Assembly         | PW326-04  | 1    | 31    | Release Slider Spring               | YV104-01  | 1    |
|       | 1D - Centrifugal Dial Click Spring     | YW114-01  | 1    | 32    | Release Slider Link                 | PW036-01  | 1    |
|       | 1E - Centrifugal Dial Click Pawl       | PW098-01  | 1    | 33    | Release Slider Link Screw           | EW125-01  | 1    |
|       | 1F - Centrifugal Dial Friction Ring    | NX105-01  | 1    | 34    | Release Slider Screw                | CX076-03  | 1    |
|       | 1G - Spool Cover                       | PW051-02  | 1    | 35    | Pinion Yoke                         | PW025-01  | 1    |
|       | 1H - Spool Cover Screw                 | EW123-01  | 3    | 36    | Yoke Spring                         | GX040-01  | 2    |
|       | 1J - Brake Ring Assembly               | PW342-01  | 1    | 37    | Gear Kit Include                    | YW4011-01 | 1    |
|       | 1K - Brake Ring Slider Spring          | DW070-01  | 4    |       | 37A - Pinion Gear Assembly          | PW311-01  |      |
|       | 1L - Brake Ring Slider Spring Retainer | PW129-01  | 1    |       | 37B - Drive Gear                    | PW012-01  |      |
|       | 1M - Brake Ring Spring Retainer Screw  | DW107-01  | 2    | 38    | Crank Shaft Ball Bearing - L        | SW017-01  | 1    |
|       | 1N - Spool Tension Shim                | QW032-04  | 1    | 39    | E-Clip                              | QW120-01  | 1    |
|       | 1P - Spool Shaft Ball Bearing - Palm   | QV017-01  | 1    | 40    | Crank Shaft Retainer                | PW002-02  | 1    |
|       | 1Q - Clip Ring                         | HV080-01  | 1    | 41    | Crank Shaft Retainer Screw          | JX107-02  | 2    |
| 2     | Spool Assembly                         | YW321-04  | 1    | 42    | Crank Shaft                         | YW008-01  | 1    |
| 3     | Clip Ring                              | EX080-01  | 1    | 43    | O/S Drive Gear                      | PW112-01  | 1    |
| 4     | Spool Shaft Ball Bearing - Gear        | EX017-02  | 1    | 44    | Trip Ratchet                        | PW083-01  | 1    |
| 5     | Gear Side Cover Screw - B              | QW053-07  | 1    | 45    | Trip Ratchet Washer                 | YW111-01  | 1    |
| 6     | Gear Side Cover Screw - A              | LF057-01  | 1    | 46    | Drag Key Washer                     | PW048-02  | 2    |
| 7     | Stabilizer Bar - A                     | PW061-01  | 1    | 47    | Drag Disc - A                       | PW059-01  | 2    |
| 8     | Frame                                  | PW001-17  | 1    | 48    | Drag "D" Washer                     | YW045-01  | 1    |
| 9     | Thumb Bar                              | PW009-01  | 1    | 49    | Drag Disc - B                       | YW059-01  | 1    |
| 10    | Thumb Bar Screw                        | CW125-01  | 1    | 50    | Drag Washer                         | PW045-01  | 1    |
| 11    | E-Clip                                 | NX092-01  | 1    | 51    | One Way Clutch Sleeve               | UX052-01  | 1    |
| 12    | Bearing Retainer                       | PW067-01  | 1    | 52    | Gear Side Cover Assembly            | PW324-23  | 1    |
| 13    | Worm Shaft Ball Bearing                | XX117-01  | 1    | 53    | Tension Knob Ball Bearing           | SW117-01  | 1    |
| 14    | Worm Shaft Kit Include                 | HV4072-02 | 1    | 54    | Tension Knob Ball Bearing Clip Ring | PW080-01  | 1    |
|       | 14A - Worm Shaft                       | HV072-02  | 1    | 55    | Tension Knob Click Spring           | PW114-01  | 1    |
|       | 14B - Line Guide Pawl                  | CX006-01  | 1    | 56    | Tension Knob Click Ratchet Retainer | YW080-01  | 1    |
|       | 14C - Line Guide Carrier Washer        | BV035-01  | 1    | 57    | Tension Knob Click Ratchet          | PW113-01  | 1    |
| 15    | Worm Shaft Guide                       | DW016-01  | 1    | 58    | Spool Tension Washer                | QW032-04  | 1    |
| 16    | Top Support                            | PW094-06  | 1    | 59    | Spool Tension Support Washer        | PW032-01  | 1    |
| 17    | Front Support                          | DW099-05  | 1    | 60    | Spool Cushion Washer                | EX082-02  | 1    |
| 18    | Side Cover Locking Lever Spring        | ZW096-01  | 1    | 61    | Spool Tension Knob Kit              | PW4033-06 | 1    |
| 19    | Side Cover Locking Lever               | YX119-02  | 1    | 62    | Crank Shaft Ball Bearing            | TW058-01  | 1    |
| 20    | Handle Nut Cap                         | DW034-02  | 1    | 63    | Crank Shaft Ball Bearing Washer     | TW035-02  | 1    |
| 21    | Handle Nut Cap Screw                   | DW050-02  | 1    | 64    | Drag Click Spring Assembly          | YX4114-01 | 1    |
| 22    | Line Guide Carrier Assembly            | PW347-02  | 1    | 65    | Spring "D" Washer                   | JX046-01  | 2    |
| 23    | Line Guide Carrier Screw               | ZW007-01  | 1    | 66    | Star Drag Washer                    | ZW032-01  | 1    |
| 24    | Worm Shaft Bushing - Gear Side         | PW068-01  | 1    | 67    | Star Drag                           | DW055-09  | 1    |
| 25    | O/S Pinion Gear Washer                 | EX035-01  | 1    | 68    | Handle Washer                       | NX054-01  | 1    |
| 26    | O/S Pinion Gear                        | PW085-01  | 1    | 69    | Handle Assembly                     | QB318-01  | 1    |
| 27    | E-Clip                                 | NX090-01  | 1    | 70    | Handle Nut                          | DW003-05  | 1    |