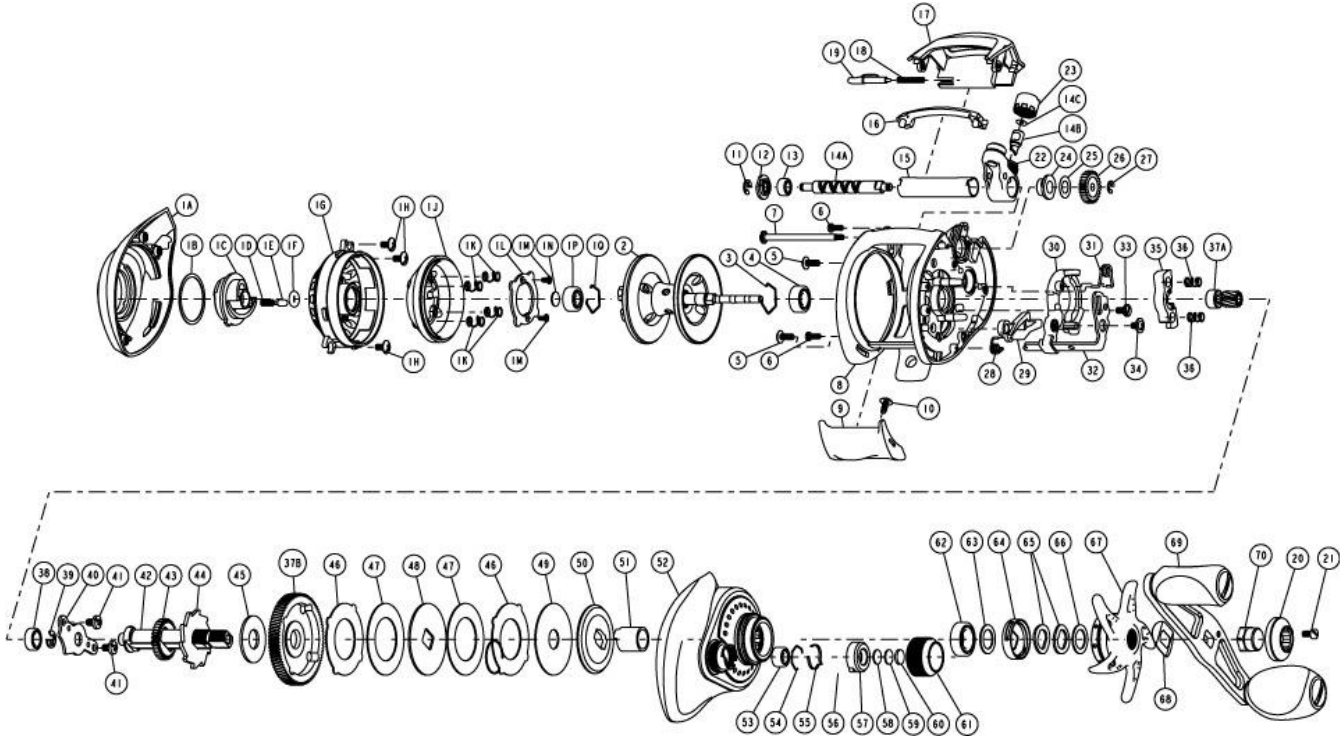


QUANTUM[®]

SL150PPT



Quantum SL150PPT Bait Cast Reel Part List					
Key #	Description	Part No.	Key #	Description	Part No.
1	Palm Side Cover Kit include	PW4023-04	28	Kick Lever Spring	GX097-01
	1A - Palm Side Cover Assembly	N/A	29	Kick Lever	PW077-01
	1B - Centrifugal Dial Washer	N/A	30	Release Slider	PW039-01
	1C - Centrifugal Dial Assembly	N/A	31	Release Slider Spring	YV104-01
	1D - Centrifugal Dial Click Spring	N/A	32	Release Slider Link	PW036-01
	1E - Centrifugal Dial Click Pawl	N/A	33	Release Slider Link Screw	EW125-02
	1F - Centrifugal Dial Friction Ring	N/A	34	Release Slider Screw	CX076-03
	1G - Spool Cover	N/A	35	Pinion Yoke	PW025-01
	1H - Spool Cover Screw	N/A	36	Yoke Spring	GX040-01
	1J - Brake Ring Assembly	N/A	37	Gear Kit Include	GW4011-01
	1K - Brake Ring Slider Spring	N/A		37A - Pinion Gear Assembly	N/A
	1L - Brake Ring Slider Spring Retainer	N/A		37B - Drive Gear	N/A
	1M - Brake Ring Spring Retainer Screw	N/A	38	Crank Shaft Ball Bearing - L	SW017-01
	1N - Spool Tension Shim	N/A	39	E-Clip	QW120-01
	1P - Spool Shaft Ball Bearing - Palm	N/A	40	Crank Shaft Retainer	PW002-02
	1Q - Clip Ring	N/A	41	Crank Shaft Retainer Screw	JX107-02
2	Spool Assembly	YW321-01	42	Crank Shaft	YW008-01
3	Clip Ring	EX080-01	43	O/S Drive Gear	PW112-01
4	Spool Shaft Ball Bearing - Gear	EX017-02	44	Trip Ratchet	PW083-01
5	Gear Side Cover Screw - B	QW053-07	45	Trip Ratchet Washer	YW111-01
6	Gear Side Cover Screw - A	LF057-01	46	Drag Key Washer	PW048-02
7	Stabilizer Bar - A	PW061-01	47	Drag Disc - A	PW059-01
8	Frame	PW001-08	48	Drag "D" Washer	YW045-01
9	Thumb Bar	PW009-01	49	Drag Disc - B	YW059-01
10	Thumb Bar Screw	CW125-01	50	Drag Washer	PW045-01
11	E-Clip	NX092-01	51	One Way Clutch Sleeve	UX052-01
12	Bearing Retainer	PW067-01	52	Gear Side Cover Assembly	PW324-10
13	Worm Shaft Ball Bearing	XX117-01	53	Tension Knob Ball Bearing	SW117-01
14	Worm Shaft Kit Include	HV4072-02	54	Tension Knob Ball Bearing Clip Ring	PW080-01
	14A - Worm Shaft	HV072-02	55	Tension Knob Click Spring	PW114-01
	14B - Line Guide Pawl	CX006-01	56	Tension Knob Click Ratchet Retaine	YW080-01
	14C - Line Guide Carrier Washer	BV035-01	57	Tension Knob Click Ratchet	PW113-01
15	Worm Shaft Guide	DW016-01	58	Spool Tension Washer	QW032-04
16	Top Support	PW094-01	59	Spool Tension Support Washer	PW032-01
17	Front Support	DW099-01	60	Spool Cushion Washer	EX082-02
18	Side Cover Locking Lever Spring	ZW096-01	61	Spool Tension Knob Kit	PW4033-04
19	Side Cover Locking Lever	YX119-02	62	Crank Shaft Ball Bearing	TW058-01
20	Handle Nut Cap	DW034-02	63	Crank Shaft Ball Bearing Washer	TW035-02
21	Handle Nut Cap Screw	DW050-02	64	Drag Click Spring Assembly	YX4114-02
22	Line Guide Carrier Assembly	PW347-02	65	Spring "D" Washer	JX046-01
23	Line Guide Carrier Screw	ZW007-01	66	Star Drag Washer	ZW032-01
24	Worm Shaft Bushing - Gear Side	PW068-01	67	Star Drag	DW055-07
25	O/S Pinion Gear Washer	EX035-01	68	Handle Washer	NX054-01
26	O/S Pinion Gear	PW085-01	69	Handle Assembly	HX318-01
27	E-Clip	NX090-01	70	Handle Nut	DW003-05