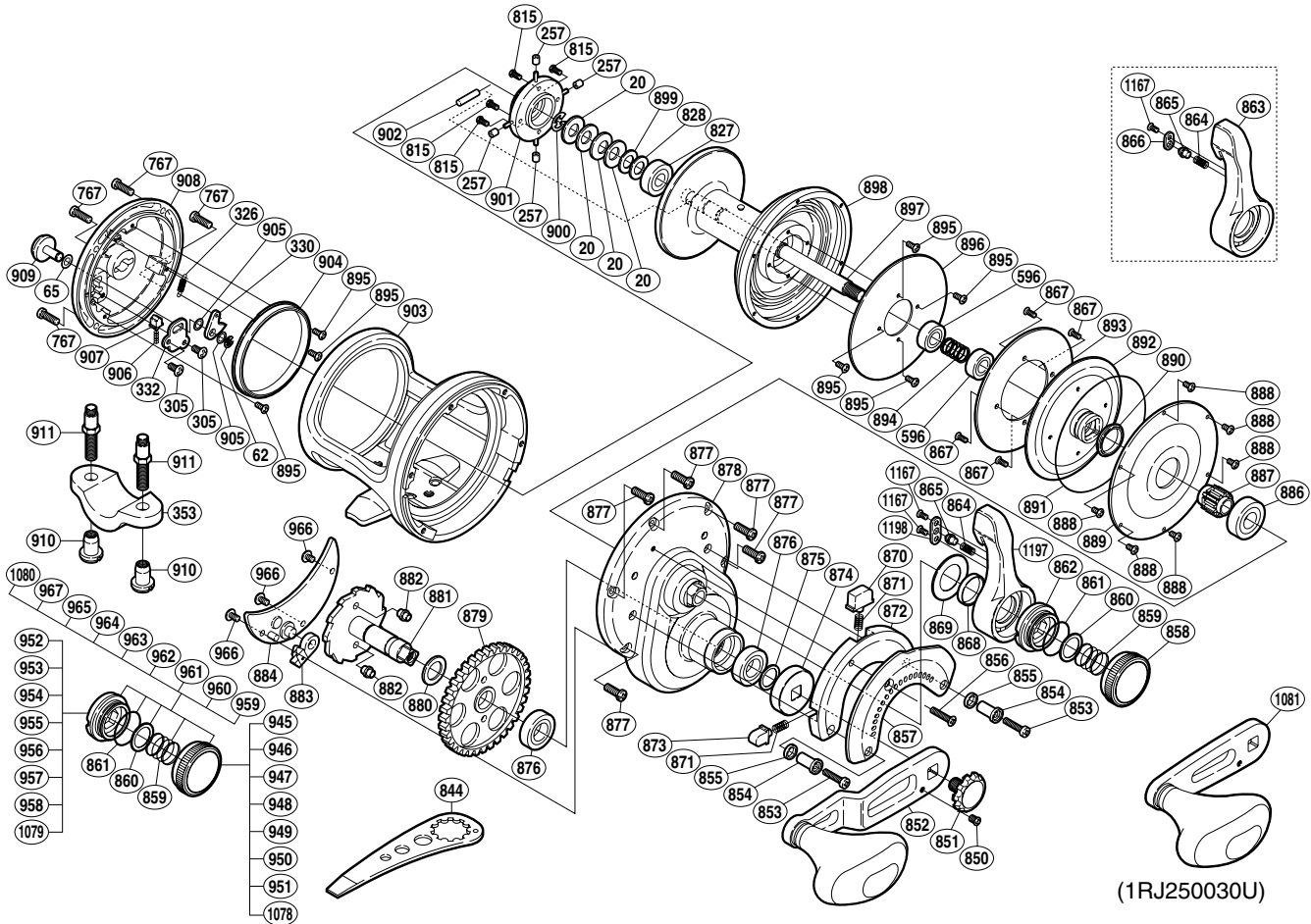


# SHIMANO

## TORSA

## TS-30



(1RJ250030U)

Part No.	Description	Part No.	Description	Part No.	Description
TGT0020	Coned Disc Spring	TGT0876	Ball Bearing	TGT0353	Rod Clamp (accessory)
TGT0062	E Lock	TGT0877	Screw	TGT0910	Rod Clamp Nut (accessory)
TGT0065	Spacer	TGT0878	Right Side Plate	TGT0911	Rod Clamp Bolt (accessory)
TGT0257	Brake Collar (blue)	TGT0879	Drive Gear	TGT0844	Wrench (accessory)
TGT0305	Screw	TGT0880	Washer		
TGT0326	Click Pawl Spring	TGT0881	Anti-Reverse Ratchet	TGT0945	Pre-Program Dial (LLS 6) (accessory)
TGT0330	Click Pawl	TGT0882	Anti-Reverse Ratchet Pin	TGT0946	Pre-Program Dial (LLS12) (accessory)
TGT0332	Click Spring Retainer	TGT0883	Anti-Reverse Pawl	TGT0947	Pre-Program Dial (BFS20) (accessory)
TGT0596	Ball Bearing	TGT0884	Set Plate	TGT0948	Pre-Program Dial (BFS50) (accessory)
TGT0767	Screw	TGT0886	Ball Bearing	TGT0949	Pre-Program Dial (WMS) (accessory)
TGT0815	Screw	TGT0887	Pinion Gear	TGT0950	Pre-Program Dial (KFS) (accessory)
TGT0827	Ball Bearing	TGT0888	Screw	TGT0951	Pre-Program Dial (CFS) (accessory)
TGT0828	Bearing Thrust Washer	TGT0889	Cooling Shield	TGT1078	Pre-Program Dial (SFS) (accessory)
TGT0850	Screw	TGT0890	Waterproof Ring		
TGT0851	Handle Bolt	TGT0891	O Ring	TGT0952	Lever Shaft Body (LLS 6) (accessory)
TGT0852	Handle	TGT0892	Pinion Guard	TGT0953	Lever Shaft Body (LLS12) (accessory)
TGT0853	Screw	TGT0893	Drag Plate	TGT0954	Lever Shaft Body (BFS20) (accessory)
TGT0854	Screw Shield	TGT0894	Pressure Release Spring	TGT0955	Lever Shaft Body (BFS50) (accessory)
TGT0855	Quadrant Support	TGT0895	Screw	TGT0956	Lever Shaft Body (WMS) (accessory)
TGT0856	Screw	TGT0896	Drag Washer	TGT0957	Lever Shaft Body (KFS) (accessory)
TGT0857	Lever Quadrant	TGT0897	Main Shaft	TGT0958	Lever Shaft Body (CFS) (accessory)
TGT0858	Pre-Program Dial (LRS)	TGT0898	Spool	TGT1079	Lever Shaft Body (SFS) (accessory)
TGT0859	Dial Spring	TGT0899	Washer		
TGT0860	Washer	TGT0900	E Lock	TGT0959	Quick Change Cam Assembly (LLS 6) (accessory)
TGT0861	O Ring	TGT0901	Click Gear Support	TGT0960	Quick Change Cam Assembly (LLS12) (accessory)
TGT0862	Lever Shaft Body (LRS)	TGT0902	Cross Pin	TGT0961	Quick Change Cam Assembly (BFS20) (accessory)
TGT0864	Yoke Spring	TGT0903	One-Piece Frame	TGT0962	Quick Change Cam Assembly (BFS50) (accessory)
TGT0865	Lever Click	TGT0904	Brake Ring	TGT0963	Quick Change Cam Assembly (WMS) (accessory)
TGT0867	Screw	TGT0905	Spacer	TGT0964	Quick Change Cam Assembly (KFS) (accessory)
TGT0868	Lever Thrust Ring	TGT0906	Click Spring	TGT0965	Quick Change Cam Assembly (CFS) (accessory)
TGT0869	Washer	TGT0907	Click Spring Holder	TGT0967	Quick Change Cam Assembly (LRS) (accessory)
TGT0870	Strike Stop	TGT0908	Left Side Plate	TGT1080	Quick Change Cam Assembly (SFS) (accessory)
TGT0871	Pressure Spring	TGT0909	Click Button		
TGT0872	Right Side Plate B	TGT0966	Screw	TGT1081	Handle (accessory)
TGT0873	Free Spool Detent	TGT1167	Screw		
TGT0874	Gear Shaft Shield	TGT1197	Drag Control Lever	TGT0863	Drag Control Lever (before change)
TGT0875	Washer	TGT1198	Lever Click Cover	TGT0866	Lever Click Cover (before change)