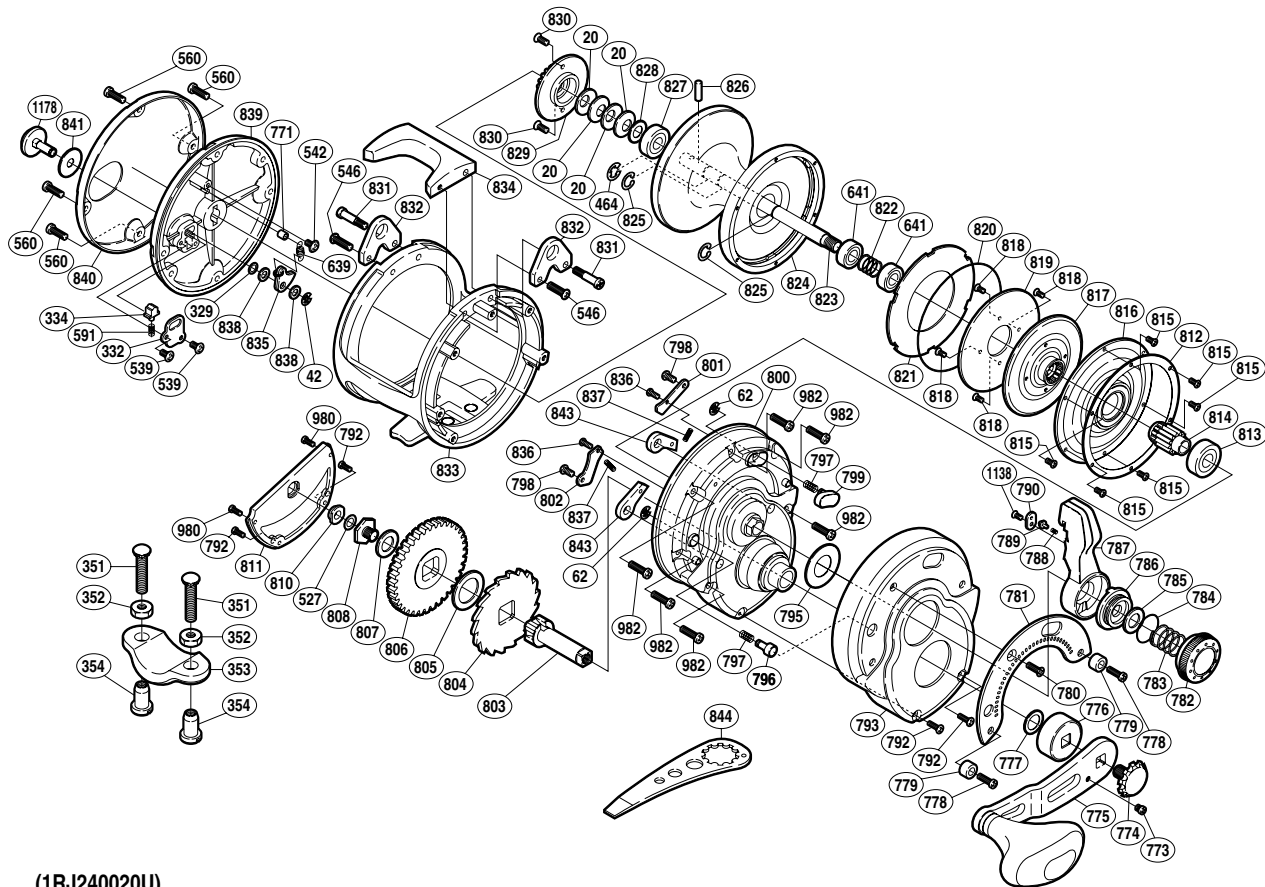


# SHIMANO

## TYRNOS A-RB

## TYR-20



(1RJ240020U)

Part No.	Description	Part No.	Description	Part No.	Description
TGT0020	Coned Disc Spring	TGT0789	Lever Click	TGT0824	Spool
TGT0042	E Lock	TGT0790	Lever Click Cover	TGT0825	C Lock
TGT0062	E Lock	TGT0792	Screw	TGT0826	Cross Pin
TGT0329	Spacer	TGT0793	Right Side Plate Cover	TGT0827	Ball Bearing
TGT0332	Click Spring Retainer	TGT0795	Lever Thrust Ring	TGT0828	Bearing Thrust Washer
TGT0334	Click Spring Holder	TGT0796	Free Spool Detent	TGT0829	Click Gear
TGT0464	E Lock	TGT0797	Pressure Spring	TGT0830	Screw
TGT0527	Spacer	TGT0798	Screw	TGT0831	Harness Lug Screw
TGT0539	Screw	TGT0799	Strike Stop	TGT0832	Harness Lug
TGT0542	Screw	TGT0800	Right Side Plate	TGT0833	One-Piece Frame
TGT0546	Screw	TGT0801	Anti-Reverse Pawl Keeper A	TGT0834	Cross Bar
TGT0560	Screw	TGT0802	Anti-Reverse Pawl Keeper B	TGT0835	Click Pawl
TGT0591	Click Spring	TGT0803	Drive Shaft	TGT0836	Screw
TGT0639	Click Pawl Spring	TGT0804	Anti-Reverse Ratchet	TGT0837	Anti-Reverse Pawl Spring
TGT0641	Ball Bearing	TGT0805	Anti-Reverse Ratchet Spacer	TGT0838	Spacer
TGT0771	Click Pawl Spring Boss Ring	TGT0806	Drive Gear	TGT0839	Left Side Plate
TGT0773	Screw	TGT0807	Drive Gear Spacer	TGT0840	Left Side Plate Cover
TGT0774	Handle Bolt	TGT0808	Drive Shaft Screw	TGT0841	Click Button Spacer
TGT0775	Handle	TGT0810	Drive Shaft Bushing	TGT0843	Anti-Reverse Pawl
TGT0776	Gear Shaft Shield	TGT0811	Right Side Seal	TGT0980	Screw
TGT0777	Gear Shaft Thrust Washer	TGT0812	Cooling Shield Ring	TGT0982	Screw
TGT0778	Screw	TGT0813	Ball Bearing	TGT1138	Screw
TGT0779	Screw Shield	TGT0814	Pinion Gear	TGT1178	Click Button
TGT0780	Screw	TGT0815	Screw		
TGT0781	Lever Quadrant	TGT0816	Cooling Shield		
TGT0782	Pre-Program Dial	TGT0817	Pinion Guard		
TGT0783	Dial Spring	TGT0818	Screw	TGT0351	Rod Clamp Bolt (accessory)
TGT0784	O Ring	TGT0819	Drag Plate	TGT0352	Rod Clamp Nut B (accessory)
TGT0785	Drag Cam Washer	TGT0820	O Ring	TGT0353	Rod Clamp (accessory)
TGT0786	Lever Shaft Body	TGT0821	Drag Washer	TGT0354	Rod Clamp Nut A (accessory)
TGT0787	Drag Control Lever	TGT0822	Pressure Release Spring		
TGT0788	Lever Click Shoe	TGT0823	Spool Shaft	TGT0844	Wrench (accessory)

(190213)